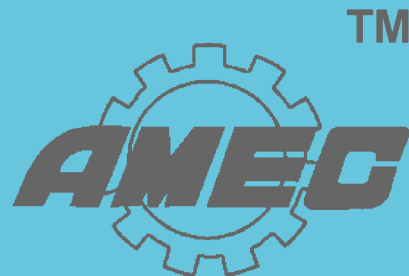


RADIAL BALL BEARING AND PILLOW BLOCK

(In Stock)



RADIAL BALL BEARING AND PILLOW BLOCK

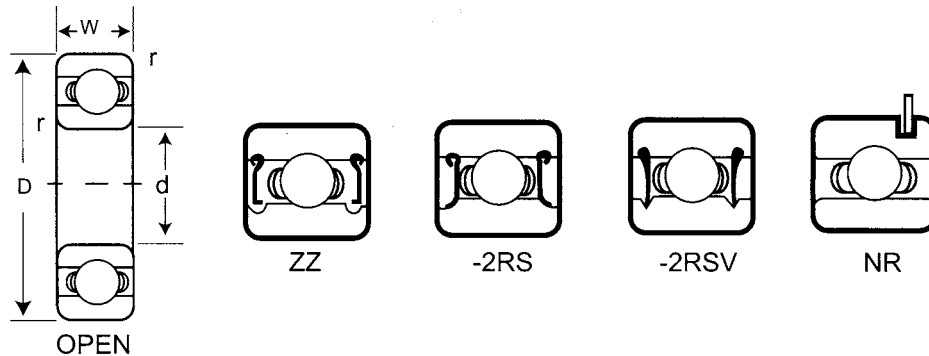
Single Row Radial Ball Bearings	J.1 TO J.5
Pillow Blocks	J.6 TO J.14



RADIAL BALL BEARING AND PILLOW BLOCK

Single Row Radial Ball Bearings

series 6000



Bearing No.	Bore d		Outer Diameter D		Width W		Radius r		Basic Load Rating lbs.		Weight lbs.
	mm	in.	mm	in.	mm	in.	mm	in.	Dynamic C	Stastic Co	
6000	10	0.3937	26	1.0236	8	0.3150	0.5	0.020	1030	440	0.042
6001	12	0.4724	28	1.1024	8	0.3150	0.5	0.020	1150	540	0.049
6002	15	0.5906	32	1.2598	9	0.3543	0.5	0.020	1260	635	0.066
6003	17	0.6693	35	1.3780	10	0.3937	0.5	0.020	1530	755	0.086
6004	20	0.7874	42	1.6535	12	0.4724	1.0	0.039	2110	1140	0.152
6005	25	0.9843	47	1.8504	12	0.4724	1.0	0.039	2260	1320	0.176
6006	30	1.1811	55	2.1654	13	0.5118	1.5	0.059	2970	1860	0.256
6007	35	1.3780	62	2.4409	14	0.5512	1.5	0.059	3600	2310	0.342
6008	40	1.5748	68	2.6772	15	0.5906	1.5	0.059	3750	2590	0.423
6009	45	1.7717	75	2.9528	16	0.6299	1.5	0.059	4700	3400	0.540
6010	50	1.9685	80	3.1496	16	0.6299	1.5	0.059	4900	3750	0.575
6011	55	2.1654	90	3.5433	18	0.7087	1.5	0.059	6350	4800	0.849
6012	60	2.3622	95	3.7402	18	0.7087	2.0	0.079	6600	5200	0.915
6013	65	2.5591	100	3.9370	18	0.7087	2.0	0.079	6850	5650	0.959
6014	70	2.7559	110	4.3307	20	0.7874	2.0	0.079	8550	6950	1.33
6015	75	2.9528	115	4.5276	20	0.7874	2.0	0.079	8900	7550	1.41
6016	80	3.1496	125	4.9213	22	0.8661	2.0	0.079	10700	8950	1.87
6017	85	3.3465	130	5.1181	22	0.8661	2.0	0.079	11100	9700	1.96
6018	90	3.5433	140	5.5118	24	0.9449	2.5	0.098	13100	11200	2.56
6019	95	3.7402	145	5.7087	24	0.9449	2.5	0.098	13600	12100	2.67
6020	100	3.9370	150	5.9055	24	0.9449	2.5	0.098	13500	12200	2.76
6021	105	4.1339	160	6.2992	26	1.0236	3.0	0.118	16300	14800	3.51
6022	110	4.3307	170	6.6929	28	1.1024	3.0	0.118	18400	16400	4.32
6024	120	4.7244	180	7.0866	28	1.1024	3.0	0.118	19100	17800	4.56
6026	130	5.1181	200	7.8740	33	1.2992	3.0	0.118	23900	22700	6.97
6028	140	5.5118	210	8.2677	33	1.2992	3.0	0.118	24700	24400	7.39
6030	150	5.9055	225	8.8583	35	1.3780	3.50	0.138	28300	28300	8.99
6032	160	6.2992	240	9.4488	38	1.4961	3.5	0.138	32000	32500	11.10
6034	170	6.6929	260	10.2362	42	1.6535	3.5	0.138	38000	38500	17.50
6036	180	7.0866	280	11.0236	46	1.8110	3.5	0.138	42500	44500	22.70
6038	190	7.4803	290	11.4173	46	1.8110	3.5	0.138	44000	48500	23.80
6040	200	7.8740	310	12.2047	51	2.0079	3.5	0.138	49000	54500	30.60

*Larger sizes available upon request.

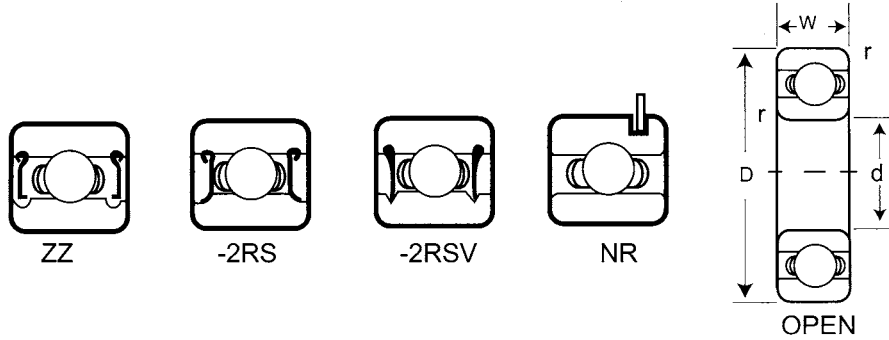
CALL FOR PRICE



RADIAL BALL BEARING AND PILLOW BLOCK

Single Row Radial Ball Bearings

series 6200



Bearing No.	Bore d		Outer Diameter D		Width W		Radius r		Basic Load Rating lbs.		Weight lbs.
	mm	in.	mm	in.	mm	in.	mm	in.	Dynamic C	Static Co	
6200	10	0.3937	30	1.1811	9	0.3543	1.0	0.039	1150	540	0.071
6201	12	0.4724	32	1.2598	10	0.3937	1.0	0.039	1370	615	0.082
6201-1/2	12.7	0.5000	32	1.2598	10	0.3937	1.0	0.039	1370	615	0.082
6201-13	13	0.5118	32	1.2598	10	0.3937	1.0	0.039	1370	615	0.082
6202	15	0.5906	35	1.3780	11	0.4331	1.0	0.039	1740	805	0.099
6202-1/2	12.7	0.5000	35	1.3780	11	0.4331	1.0	0.039	1740	805	0.110
6202-5/8	15.875	0.6250	35	1.3780	11	0.4331	1.0	0.039	1740	805	0.090
6202-16	16	0.6299	35	1.3780	11	0.4331	1.0	0.039	1740	805	0.090
6203	17	0.6693	40	1.5748	12	0.4724	1.0	0.039	2160	1030	0.143
6203-1/2	12.7	0.5000	40	1.5748	12	0.4724	1.0	0.039	2160	1030	0.154
6203-15	15	0.5906	40	1.5748	12	0.4724	1.0	0.039	2160	1030	0.148
6203-5/8	15.875	0.6250	40	1.5748	12	0.4724	1.0	0.039	2160	1030	0.150
6203-16	16	0.6299	40	1.5748	12	0.4724	1.0	0.039	2160	1030	0.150
6203-3/4	19.05	0.7500	40	1.5748	12	0.4724	1.0	0.039	2160	1030	0.140
6204	20	0.7874	47	1.8504	14	0.5512	1.5	0.059	2890	1500	0.234
6204-3/4	19.05	0.7500	47	1.8504	14	0.5512	1.5	0.059	2890	1500	0.236
6204-7/8	22.225	0.8750	47	1.8504	14	0.5512	1.5	0.059	2890	1500	0.230
6205	25	0.9843	52	2.0472	15	0.5906	1.5	0.059	3150	1770	0.282
6205-1	25.4	1.0000	52	2.0472	15	0.5906	1.5	0.059	3150	1770	0.280
6206	30	1.1811	62	2.4409	16	0.6299	1.5	0.059	4400	2540	0.439
6207	35	1.3780	72	2.8346	17	0.6693	2.0	0.079	5750	3450	0.635
6208	40	1.5748	80	3.1496	18	0.7087	2.0	0.079	6550	4000	0.807
6209	45	1.7717	85	3.3465	19	0.7480	2.0	0.079	7350	4600	0.897
6210	50	1.9685	90	3.5433	20	0.7874	2.0	0.079	7900	5200	1.02
6211	55	2.1654	100	3.9370	21	0.8268	2.5	0.098	9750	6550	1.34
6212	60	2.3622	110	4.3307	22	0.8661	2.5	0.098	11800	8150	1.73
6213	65	2.5591	120	4.7244	23	0.9055	2.5	0.098	12900	9000	2.18
6214	70	2.7559	125	4.9213	24	0.9449	2.5	0.098	14000	9900	2.36
6215	75	2.9528	130	5.1181	25	0.9843	2.5	0.098	14900	11100	2.60
6216	80	3.1496	140	5.5118	26	1.0236	3.0	0.118	16300	11900	3.09
6217	85	3.3465	150	5.9055	28	1.1024	3.0	0.118	18700	14300	3.95
6218	90	3.5433	160	6.2992	30	1.1811	3.0	0.118	21600	16100	4.74
6219	95	3.7402	170	6.6929	32	1.2598	3.5	0.138	24500	18400	5.78
6220	100	3.9370	180	7.0866	34	1.3386	3.5	0.138	27500	20900	6.92
6221	105	4.1339	190	7.4803	36	1.4173	3.5	0.138	29900	23500	8.16
6222	110	4.3307	200	7.8740	38	1.4961	3.5	0.138	32500	26300	9.61
6224	120	4.7244	215	8.4646	40	1.5748	3.5	0.138	35000	29500	11.4
6226	130	5.1181	230	9.0551	40	1.5748	4.0	0.157	37500	33000	12.8
6228	140	5.5118	250	9.8425	42	1.6535	4.0	0.157	37500	33500	16.5
6230	150	5.9055	270	10.6299	45	1.7717	4.0	0.157	39500	37500	20.7
6232	160	6.2992	290	11.4173	48	1.8898	4.0	0.157	41500	42000	31.5
6234	170	6.6929	310	12.2047	52	2.0472	5.0	0.197	47500	50000	38.6
6236	180	7.0866	320	12.5984	52	2.0472	5.0	0.197	51000	54000	40.3
6238	190	7.4803	340	13.3858	55	2.1654	5.0	0.197	57500	63500	50.7
6240	200	7.8740	360	14.1732	58	2.2835	5.0	0.197	60500	70000	62.2

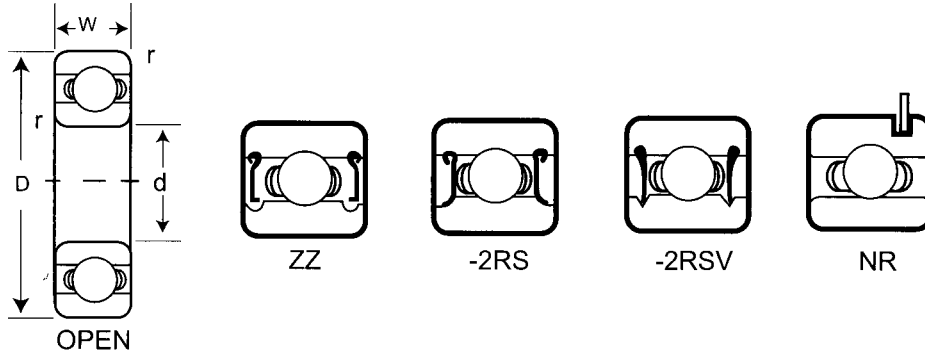
CALL FOR PRICE



RADIAL BALL BEARING AND PILLOW BLOCK

Single Row Radial Ball Bearings

series 6300



Bearing No.	Bore d		Outer Diameter D		Width W		Radius r		Basic Load Rating lbs.		Weight lbs.
	mm	in.	mm	in.	mm	in.	mm	in.	Dynamic C	Static C ₀	
6300	10	0.3937	35	1.3780	11	0.4331	1.0	0.039	1840	785	0.117
6301	12	0.4724	37	1.4567	12	0.4724	1.5	0.059	2180	940	0.132
6302	15	0.5906	42	1.6535	13	0.5118	1.5	0.059	2570	1220	0.181
6303	17	0.6693	47	1.8504	14	0.5512	1.5	0.059	3050	1470	0.254
6304	20	0.7874	52	2.0472	15	0.5906	2.0	0.079	3600	1770	0.317
6305	25	0.9843	62	2.4409	17	0.6693	2.0	0.079	4750	2460	0.511
6306	30	1.1811	72	2.8346	19	0.7480	2.0	0.079	6000	3400	0.763
6307	35	1.3780	80	3.1496	21	0.8268	2.5	0.098	7500	4300	1.01
6308	40	1.5748	90	3.5433	23	0.9055	2.5	0.098	9150	5400	1.40
6309	45	1.7717	100	3.9370	25	0.9843	2.5	0.098	11900	7200	1.84
6310	50	1.9685	110	4.3307	27	1.0630	3.0	0.118	13900	8600	2.36
6311	55	2.1654	120	4.7244	29	1.1417	3.0	0.118	16100	10100	3.02
6312	60	2.3622	130	5.1181	31	1.2205	3.5	0.138	18400	11700	3.75
6313	65	2.5591	140	5.5118	33	1.2992	3.5	0.138	20800	13400	4.59
6314	70	2.7559	150	5.9055	35	1.3780	3.5	0.138	23400	15300	5.56
6315	75	2.9526	160	6.2992	37	1.4567	3.5	0.138	25500	17400	6.66
6316	80	3.1496	170	6.6929	39	1.5354	3.5	0.138	27600	19500	7.91
6317	85	3.3465	180	7.0866	41	1.6142	4.0	0.157	29800	21800	9.33
6318	90	3.5433	190	7.4803	43	1.6929	4.0	0.157	32000	24100	10.8
6319	95	3.7402	200	7.8740	45	1.7717	4.0	0.157	34500	26600	12.5
6320	100	3.9370	215	8.4646	47	1.8504	4.0	0.157	39000	31500	15.4
6321	105	4.1339	225	8.8583	49	1.9291	4.0	0.157	41500	34500	17.7
6322	110	4.3307	240	9.4488	50	1.9685	4.0	0.157	40000	40500	21.0
6324	120	4.7244	260	10.2362	55	2.1654	4.0	0.157	46500	41500	27.3
6326	130	5.1181	280	11.0236	58	2.2835	5.0	0.197	51500	48000	33.3
6328	140	5.5118	300	11.8110	62	2.4409	5.0	0.197	57000	55500	40.8
6330	150	5.9055	320	12.5984	65	2.5591	5.0	0.197	61500	63500	57.8
6332	160	6.2992	340	13.3858	68	2.6772	5.0	0.197	62500	64500	63.9
6334	170	6.6929	360	14.1732	72	2.8346	5.0	0.197	73500	80000	76.1
6336	180	7.0866	380	14.9606	75	2.9528	5.0	0.197	79500	91500	93.5
6338	190	7.4803	400	15.7480	78	3.0709	6.0	0.236	79500	93000	108.0
6340	200	7.8740	420	16.5354	80	3.1496	6.0	0.236	92000	113000	122.0

*Larger sizes available upon request.

please call us for other single row radial ball bearing.

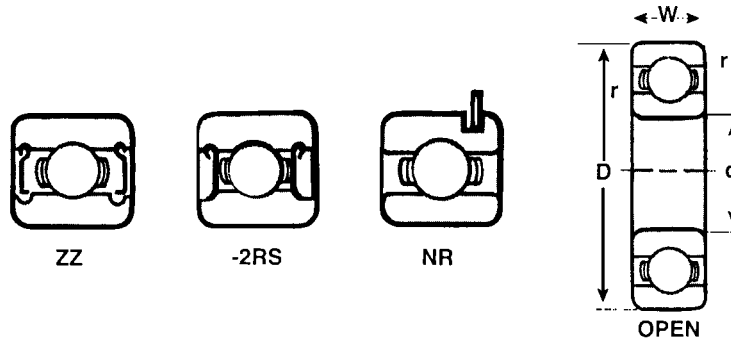
CALL FOR PRICE



RADIAL BALL BEARING AND PILLOW BLOCK

Single Row Radial Ball Bearings

series 1600



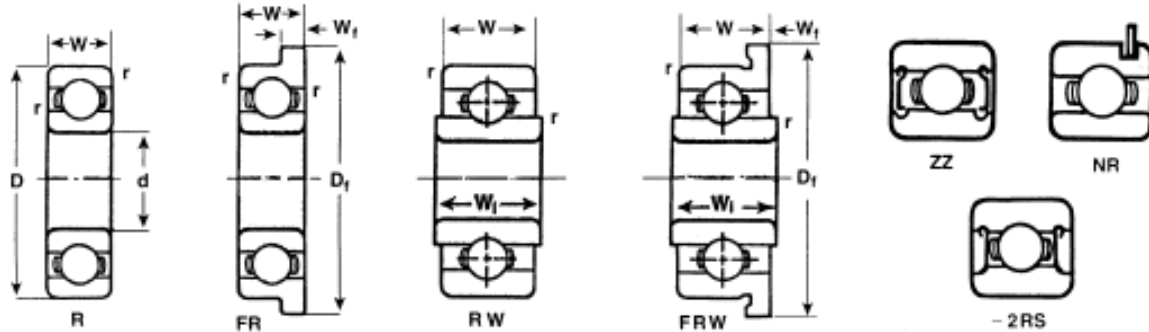
Bearing No.	Bore in		Outer Diameter D		Width W		Radius r in	Basic Load Rating lbs.		Weight lbs.	UNIT PRICE
	Fraction	in	Fraction	in	Fraction	in		Dynamic C	Static Co		
1601	3/16	.1875	11/16	.6875	* 1/4	.2500	0.012	491	194	.015	2.50
1602	1/4	.2500	11/16	.6875	* 1/4	.2500	0.012			.013	2.50
1603	5/16	.3125	7/8	.8750	** 9/32	.2812	0.012	747	317	.024	2.50
1604	3/8	.3750	7/8	.8750	** 9/32	.2812	0.015			.032	2.50
1605	5/16	.3125	29/32	.9062	5/16	.3125	0.012	935	390	.026	2.60
1606	3/8	.3750	29/32	.9062	5/16	.3125	0.015			.030	2.60
1607	7/16	.4375	29/32	.9062	5/16	.3125	0.015			.035	2.60
1614	3/8	.3750	1-1/8	1.1250	3/8	.3750	0.025	1047	465	.077	2.90
1615	7/16	.4375	1-1/8	1.1250	3/8	.3750	0.025			.071	2.90
1616	1/2	.5000	1-1/8	1.1250	3/8	.3750	0.025			.066	2.90
1620	7/16	.4375	1-3/8	1.3750	7/16	.4375	0.025	1525	747	.110	3.00
1621	1/2	.5000	1-3/8	1.3750	7/16	.4375	0.025			.106	3.00
1622	9/16	.5625	1-3/8	1.3750	7/16	.4375	0.025			.101	3.00
1623	5/8	.6250	1-3/8	1.3750	7/16	.4375	0.025			.088	3.00
1628	5/8	.6250	1-5/8	1.6250	1/2	.5000	0.025	2109	1150	.159	3.70
1630	3/4	.7500	1-5/8	1.6250	1/2	.5000	0.025			.143	3.70
1633	5/8	.6250	1-3/4	1.7500	1/2	.5000	0.025	2109	1150	.203	3.80
1635	3/4	.7500	1-3/4	1.7500	1/2	.5000	0.025			.187	3.80
1638	3/4	.7500	2	2.0000	9/16	.5625	0.035	3150	1785	.265	4.40
1640	7/8	.8750	2	2.0000	9/16	.5625	0.035			.247	4.40
1641	1	1.0000	2	2.0000	9/16	.5625	0.035			.221	4.60
1652	1-1/8	1.1250	2-1/2	2.5000	5/8	.6250	0.035	2880	1890	.463	5.90
1654	1-1/4	1.2500	2-1/2	2.5000	5/8	.6250	0.035			.419	5.90
1657	1-1/4	1.2500	2-9/16	2.5625	11/16	.6875	0.035	3369	2251	.474	8.00
1658	1-5/16	1.3125	2-9/16	2.5625	11/16	.6875	0.035			.441	8.20

* Width sealed = 5/16 in.
 ** Width sealed = 11/32 in.
 Call for price



RADIAL BALL BEARING AND PILLOW BLOCK

Single Row Radial Ball Bearings series -R,ER,RW,FRW



Bearing No.	Bore in		Outer Diameter D		Width				Flange Dimensions Open		Radius r in.	Basic Load Rating lbs.		Weight lbs. (Open)	UNIT PRICE
	Fraction	in	Fraction	in	W in.	W _i in.	Open	Shielded	D _f	W _f		Dynamic C	Static C _o		
					Open	Shielded									
R09	1/25	.0400	1/8	.1250	.0469	—	—	—	—	—	0.004	22	6	*	
R0	3/64	.0469	5/32	.1562	.0625	.0937	.0937	.1250	.203	.013	0.004	36	10	*	
R1	—	.0550	3/16	.1875	.0781	.1094	.1094	.1406	.234	.023	0.004	42	13	*	
R1-4	5/64	.0781	1/4	.2500	.0937	.1406	.1250	.1719	.296	.023	0.004	63	20	*	
R133	3/32	.0937	3/16	.1875	.0625	.0937	.0937	.1250	.234	.018	0.004	28	9.5	*	
R1-5	3/32	.0937	5/16	.3125	.1094	.1406	.1406	.1719	.359	.023	0.006	96	34	.001	
R144	1/8	.1250	1/4	.2500	.0937	.1094	.1250	.1406	.296	.023	0.004	64	22	*	
R2-5	1/8	.1250	5/16	.3125	.1094	.1406	.1406	.1719	.359	.023	0.004	126	40	.002	
R2-6	1/8	.1250	3/8	.3750	.1094	.1406	.1406	.1719	.422	.023	0.006	144	50	.002	
R2	1/8	.1250	3/8	.3750	.1562	.1562	.1875	.1875	.440	.030	0.012	144	50	.003	
R2A	1/8	.1250	1/2	.5000	.1719	.1719	—	—	—	—	0.012	258	89	.007	
R155	5/32	.1562	5/16	.3125	.1094	.1250	.1406	.1562	.359	.023	0.004	76	30	.001	
R156	3/16	.1875	5/16	.3125	.1094	.1250	.1406	.1562	.359	.023	0.004	89	32	.001	
R166	3/16	.1875	3/8	.3750	.1250	.1250	.1562	.1562	.422	.023	0.004	160	60	.002	
R3	3/16	.1875	1/2	.5000	.1562	.1960	.2272	.2272	.565	.042	0.012	295	110	.005	
R3A	3/16	.1875	1/2	.5000	.1960	.1960	—	—	—	—	0.012	295	110	.006	1.90
R168	1/4	.2500	3/8	.3750	.1250	.1250	.1562	.1562	.422	.023	0.004	60	31	.001	
R188	1/4	.2500	1/2	.5000	.1250	.1875	.1562	.2188	.547	.023	0.006	186	84	.004	
R4	1/4	.2500	5/8	.6250	.1960	.1960	.2272	.2272	.690	.042	0.012	335	139	.010	1.90
R4A	1/4	.2500	3/4	.7500	.2188	.2812	—	—	—	—	0.016	525	199	.017	
R6	3/8	.3750	7/8	.8750	.2188	.2812	—	—	.969	.062	0.016	745	315	.024	2.30
R8	1/2	.5000	1-1/8	1.1250	.2500	.3125	—	—	1.225	.062	0.016	1148	535	.039	2.30
R10	5/8	.6250	1-3/8	1.3750	.2812	.3438	—	—	—	—	0.031	1347	734	.081	2.50
R12	3/4	.7500	1-5/8	1.6250	.3125	.4375	—	—	—	—	0.031	1770	1018	.104	3.50
R14	7/8	.8750	1-7/8	1.8750	.3750	.5000	—	—	—	—	0.031	2261	1316	.157	4.50
R16	1	1.0000	2	2.0000	.3750	.5000	—	—	—	—	0.031	2261	1316	.187	6.40
R18	1-1/8	1.1250	2-1/8	2.1250	.3750	.5000	—	—	—	—	0.031	2150	1407	.198	6.95
R20	1-1/4	1.2500	2-1/4	2.2500	.3750	.5000	—	—	—	—	0.031	2973	1858	.209	7.85
R22	1-3/8	1.3750	2-1/2	2.5000	.4375	.5625	—	—	—	—	0.031	2756	1910	.232	8.40
R24	1-1/2	1.5000	2-5/8	2.6250	.4375	.5625	—	—	—	—	0.031	2906	2084	.309	8.90

NOTES: Flange widths may be wider for shielded bearings.

Most sizes available upon request

* Weight is less than 0.001 lbs.

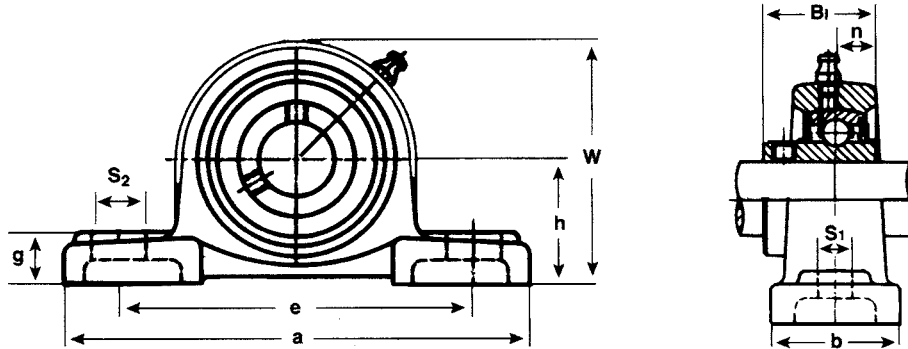
call for price if no list.



RADIAL BALL BEARING AND PILLOW BLOCK

Pillow Blocks (Set Screw Type-High center Height)

series-ucp200



Solid Base Type

Shaft Dia. in.	Unit No.	Dimensions(in.)										Bolt Used in.	Bearing No.	Housing No.	Weight		UNIT Price
		h	a	e	b	S ₂	S ₁	g	w	B ₁	n				kg	lbs.	
1/2 5/8	UCP201-8 202-10 UCP201 202 203	1-3/16	5	3-3/4	1-1/2	3/4	1/2	15/32	2-3/8	1.2205	0.7205	3/8	UC201-8 201-10 UC201 202 203	P203	0.78	1.72	10.50
3/4.	UCP204-12 UCP204	1-5/16	5	3-3/4	1-1/2	3/4	1/2	1/2	2-17/32	1.2205	0.7205	3/8	UC204-12 UC204-13	P204	0.66	1.46	10.50
7/8 15/16 1	UCP205-14 205-15 205-16 UCP205	1-7/16	5-1/2	4-1/8	1-1/2	3/4	1/2	1/2	2-25/32	1.3386	0.5630	3/8	UC205-14 205-15 205-16 UC205	P205	0.86	1.90	12.95
1-1/16 1-1/8 1-3/16 1-1/4	UCP206-17 206-18 206-19 206-20 UCP206	1-11/16	6-1/2	4-3/4	1-7/8	13/16	21/32	19/32	3-5/15	1.5000	0.6260	1/2	UC206-17 206-18 206-19 206-20 UC206	P206	1.41	3.11	16.35
1-1/4 1-5/16 1-3/8 1-7/16	UCP207-20 207-21 207-22 207-23 UCP207	1-7/8	6-9/16	5	1-7/8	13/16	21/32	5/8	3-21/32	1.6890	0.6890	1/2	UC207-20 207-21 207-22 207-23 UC207	P207	1.66	3.66	20.10
1-1/2 1-9/16	UCP208-24 208-25 UCP208	1-15/16	7-1/4	5-13/32	2-1/8	13/16	21/32	21/32	3-27/32	1.9370	0.7460	1/2	UC208-24 208-25 UC208	P208	2.12	4.67	24.71
1-5/8 1-11/16 1-3/4	UCP209-26 209-27 209-28 UCP209	2-1/8	7-15/32	5-3/4	2-1/8	13/16	21/32	21/32	4-3/16	1.9370	0.7480	1/2	UC209-26 209-27 209-28 UC209	P209	2.40	5.29	26.11
1-7/8 1-15/16	UCP210-30 210-31 UCP210	2-1/4	8-1/8	6-1/4	2-3/8	7/8	25/32	3/4	4-7/16	2.0315	0.7480	5/8	UC210-30 210-31 UC210	P210	2.94	6.48	32.52
2 2-1/8 2-3/16	UCP211-32 211-34 211-35 UCP211	2-1/2	8-5/8	6-23/32	2-3/8	7/8	25/32	3/4	4-29/32	2.1890	0.8740	5/8	UC211-32 211-34 211-35 UC211	P211	3.66	8.07	42.50
2-1/4 2-3/8 2-7/16	UCP212-36 212-38 212-39 UCP212	2-3/4	9-1/2	7-1/4	2-3/4	1	25/32	7/8	5-7/16	2.5630	1.0000	5/8	UC212-36 212-38 212-39 UC212	P212	5.15	11.3	52.80
2-1/2	UCP213-40 UCP213	3	10-7/16	8	2-3/4	1-3/16	1	1	5-29/32	2.5630	1.0000	3/4	UC213-40 UC213	P213	6.10	13.4	69.70
2-3/4	UCP214-44 UCP214	3-1/8	10-15/32	8-9/32	2-27/32	1-3/16	1	1-3/32	6-5/32	2.9370	1.1890	3/4	UC214-44 UC214	P214	6.90	15.2	78.50
2-15/16 3 3	UCP215-47 215-48 UCP215	3-1/4	10-13/16	8-17/32	2-29/32	1-3/16	1	1-3/32	6-3/8	3.0630	1.3110	3/4	UC215-47 215-48 UC215	P215	7.85	17.3	93.50

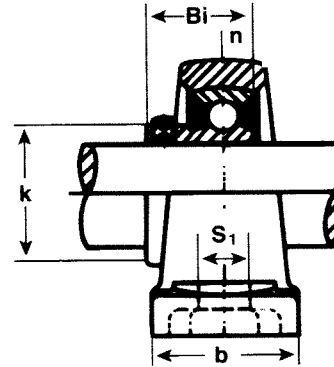
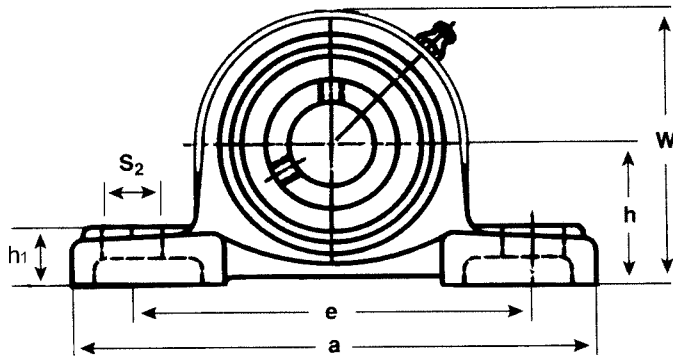
Note:Grease fittings can be positioned on pillow blocks at 90° upon request



RADIAL BALL BEARING AND PILLOW BLOCK

Pillow Blocks (Set Screw Type-Light Duty Inserts)

Series-SBP200
Series-SBAK200



SBP200-SERIES HIGH CENTER HEIGHT

Shaft Dia. in.	Unit No.	Dimensions(in.)										Bolt Used in.	Bearing No.	Housing No.	Weight		UNIT PRICE
		h	a	e	b	S1	S2	h1	w	Bi	n				kg	lbs.	
1/2	SBP201-8	1-1/4	4-15/16	3-3/4	1-1/2	5/8	31/64	1/2	2-1/4	0.867	0.229	3/8	SB201-8	P202	0.54	1.29	12.50
5/8	SBP202-10	1-1/4	4-15/16	3-3/4	1-1/2	5/8	31/64	1/2	2-1/4	0.867	0.229	3/8	SB201-10	P202	0.54	1.32	
3/4	SBP204-12	1-5/16	5	3-3/4	1-1/2	3/4	1/2	1/2	2-17/32	0.984	0.275	3/8	SB204-12	P204	0.63	1.39	12.50
7/8	SBP205-14	1-7/16	5-1/2	4-1/8	1-1/2	3/4	1/2	1/2	2-25/32	1.062	0.295	3/8	SB205-14	P205	0.83	1.83	14.50
15/16	205-15	1-7/16	5-1/2	4-1/8	1-1/2	3/4	1/2	1/2	2-25/32	1.062	0.295	3/8	205-15	P205	0.83	1.83	
1	205-16	1-7/16	5-1/2	4-1/8	1-1/2	3/4	1/2	1/2	2-25/32	1.062	0.295	3/8	205-16	P205	0.83	1.83	
1-1/16	SBP206-17	1-11/16	6-1/2	4-3/4	1-7/8	13/16	21/32	19/32	3-5/16	1.181	0.315	1/2	SB206-17	P206	1.34	2.95	18.45
1-1/8	206-18	1-11/16	6-1/2	4-3/4	1-7/8	13/16	21/32	19/32	3-5/16	1.181	0.315	1/2	206-18	P206	1.34	2.95	
1-3/16	206-19	1-11/16	6-1/2	4-3/4	1-7/8	13/16	21/32	19/32	3-5/16	1.181	0.315	1/2	206-19	P206	1.34	2.95	
1-1/4	206-20	1-11/16	6-1/2	4-3/4	1-7/8	13/16	21/32	19/32	3-5/16	1.181	0.315	1/2	206-20	P206	1.34	2.95	
1-1/4	SBP207-20	1-7/8	6-9/16	5	1-7/8	13/16	21/32	5/8	3-21/32	1.259	0.335	1/2	SB207-20	P207	1.57	3.46	22.10
1-5/16	207-21	1-7/8	6-9/16	5	1-7/8	13/16	21/32	5/8	3-21/32	1.259	0.335	1/2	207-21	P207	1.57	3.46	
1-3/8	207-22	1-7/8	6-9/16	5	1-7/8	13/16	21/32	5/8	3-21/32	1.259	0.335	1/2	207-22	P207	1.57	3.46	
1-7/16	207-23	1-7/8	6-9/16	5	1-7/8	13/16	21/32	5/8	3-21/32	1.259	0.335	1/2	207-23	P207	1.57	3.46	
1-1/2	SBP208-24	1-15/16	7-1/4	5-13/32	2-1/8	13/16	21/32	21/32	3-27/32	1.338	0.354	1/2	SB208-24	P208	2.04	4.50	27.71

SBAK200-SERIES LOW CENTER HEIGHT

Shaft Dia. in.	Unit No.	Dimensions(in.)										Bolt Used in.	Bearing No.	Housing No.	Weight		UNIT PRICE
		h	a	e	b	S1	S2	h1	w	Bi	n				kg	lbs.	
3/4	SBAK204-12	1-1/4	5-1/4	3-7/8	1-5/8	9/16	7/16	9/16	2-1/2	0.984	0.275	3/8	SB204-12	AK204	0.82	1.81	12.50
7/8	SBAK205-14	1-5/16	5-1/2	4-1/8	1-3/4	9/16	7/16	5/8	2-11/16	1.062	0.295	3/8	SB205-14	AK205	0.97	2.14	14.50
15/16	205-15	1-5/16	5-1/2	4-1/8	1-3/4	9/16	7/16	5/8	2-11/16	1.062	0.295	3/8	205-15	AK205	0.97	2.14	
1	205-16	1-5/16	5-1/2	4-1/8	1-3/4	9/16	7/16	5/8	2-11/16	1.062	0.295	3/8	205-16	AK205	0.97	2.14	
1-1/16	SBAK206-17	1-9/16	6-5/16	4-3/4	1-7/8	3/4	9/16	11/16	3-5/32	1.181	0.315	1/2	SB206-17	AK206	1.33	2.93	18.45
1-1/8	206-18	1-9/16	6-5/16	4-3/4	1-7/8	3/4	9/16	11/16	3-5/32	1.181	0.315	1/2	206-18	AK206	1.33	2.93	
1-3/16	206-19	1-9/16	6-5/16	4-3/4	1-7/8	3/4	9/16	11/16	3-5/32	1.181	0.315	1/2	206-19	AK206	1.33	2.93	
1-1/4	206-20	1-9/16	6-5/16	4-3/4	1-7/8	3/4	9/16	11/16	3-5/32	1.181	0.315	1/2	206-20	AK206	1.33	2.93	
1-1/4	SBAK207-20	1-13/16	6-9/16	5	1-7/8	3/4	9/16	3/4	3-5/8	1.259	0.335	1/2	SB207-20	AK207	1.68	3.7	22.10
1-5/16	207-21	1-13/16	6-9/16	5	1-7/8	3/4	9/16	3/4	3-5/8	1.259	0.335	1/2	207-21	AK207	1.68	3.7	
1-3/8	207-22	1-13/16	6-9/16	5	1-7/8	3/4	9/16	3/4	3-5/8	1.259	0.335	1/2	207-22	AK207	1.68	3.7	
1-7/16	207-23	1-13/16	6-9/16	5	1-7/8	3/4	9/16	3/4	3-5/8	1.259	0.335	1/2	207-23	AK207	1.68	3.7	
1-1/2	SBAK208-24	1-15/16	7-1/8	5-1/2	2-1/8	3/4	9/16	3/4	3-15/16	1.338	0.354	1/2	SB208-24	AK208	2.03	4.50	27.71

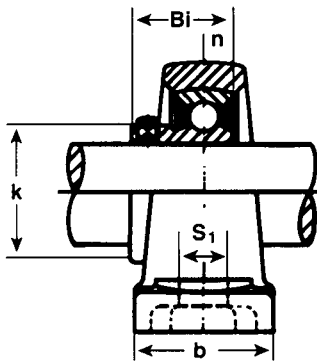


RADIAL BALL BEARING AND PILLOW BLOCK

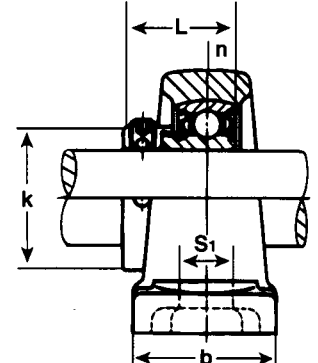
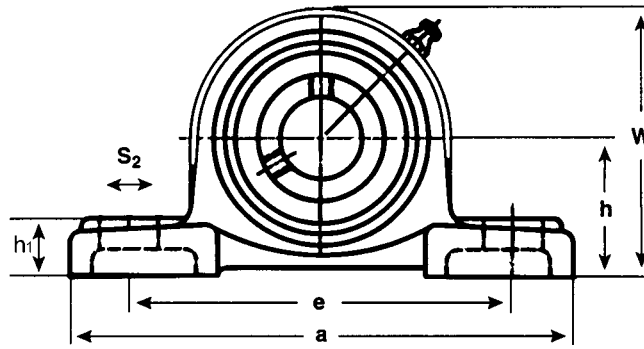
Pillow Blocks (Narrow Cast Iron Housing Series)

Series-SBLP200

Series-SALP200



SBLP



SALP

SBLP200-SERIES SET SCREW TYPE

Solid Base Type

Shaft Dia. in.	Unit No.	Dimensions (in.)										Bolt Used in.	Bearing No.	Housing No.	Weight		UNIT PRICE
		h	a	e	b	S ₂	S ₁	h ₁	w	Bi	n				kg	lbs.	
1/2 5/8	SBLP201-8 202-10	1-3/16	4-1/2	3-7/16	1	5/8	7/16	15/32	2-1/4	0.866	0.236	3/8	SB201-8 202-10	LP203	0.38	0.84	12.50
3/4	SBLP204-12	1-5/16	4-29/32	3-13/16	1-1/16	5/8	7/16	1/2	2-9/16	0.984	0.275	3/8	SB204-12	LP204	0.47	1.03	12.50
7/8 15/16 1	SBLP205-14 205-15 205-16	1-7/16	5-1/8	3-15/16	1-5/32	5/8	7/16	1/2	2-25/32	1.062	0.295	3/8	SB205-14 205-15 205-16	LP205	0.58	1.28	14.50
1-1/8 1-3/16 1-1/4	SBLP206-18 206-19 206-20	1-11/16	6-5/32	4-22/32	1-5/16	13/16	7/16	9/16	3-9/32	1.181	0.315	1/2	SB206-18 206-19 206-20	LP206	0.68	1.50	18.45
1-5/16 1-3/8 1-7/16 1-1/2	SBLP207-20 207-21 207-22 207-23	1-7/8	6-1/2	5	1-3/8	13/16	9/16	5/8	3-23/32	1.259	0.335	1/2	SB207-20 207-21 207-22 207-23	LP207	0.94	2.07	22.10
1-1/2	SBLP208-24	2	7-1/4	5-1/2	1-5/32	7/8	9/16	23/32	4-1/32	1.338	0.354	1/2	SB208-24	LP208	1.80	3.96	27.41

SALP200-SERIES ECCENTRIC LOCKING COLLAR TYPE

Shaft Dia. in.	Unit No.	Dimensions (in.)											Bolt Used in.	Bearing No.	Housing No.	Weight		UNIT PRICE
		h	a	e	b	S ₂	S ₁	h ₁	w	L	n	k				kg	lbs.	
1/2 5/8	SALP201-8 202-10	1-3/16	4-1/2	3-7/16	1	5/8	7/16	15/32	2-1/4	1.125	0.256	1-1/8	3/8	SA201-8 202-10	LP203	0.41	0.90	12.50
3/4	SALP204-12	1-5/16	4-29/32	3-13/16	1-1/16	5/8	7/16	1/2	2-9/16	1.218	0.295	1-1/4	3/8	SA204-12	LP204	0.53	1.17	12.50
7/8 15/16 1	SALP205-14 205-15 205-16	1-7/16	5-1/8	3-15/16	1-5/32	5/8	7/16	1/2	2-25/32	1.218	0.295	1-1/2	3/8	SA205-14 205-15 205-16	LP205	0.63	1.39	14.50
1-1/8 1-3/16 1-1/4	SALP206-18 206-19 206-20	1-11/16	6-5/32	4-22/32	1-5/16	13/16	7/16	9/16	3-9/32	1.406	0.354	1-3/4	1/2	SA206-18 206-19 206-20	LP206	0.76	1.67	18.45
1-1/4 1-5/16 1-3/8 1-7/16	SALP207-20 207-21 207-22 207-23	1-7/8	6-1/2	5	1-3/8	13/16	9/16	5/8	3-23/32	1.531	0.374	2-3/16	1/2	SA207-20 207-21 207-22 207-23	LP207	1.10	2.42	22.10
1-1/2	SALP208-24	2	7-1/4	5-1/2	1-15/32	7/8	9/16	23/32	4-1/32	1.719	0.433	2-3/8	1/2	SA208-24	LP208	1.90	4.18	27.41

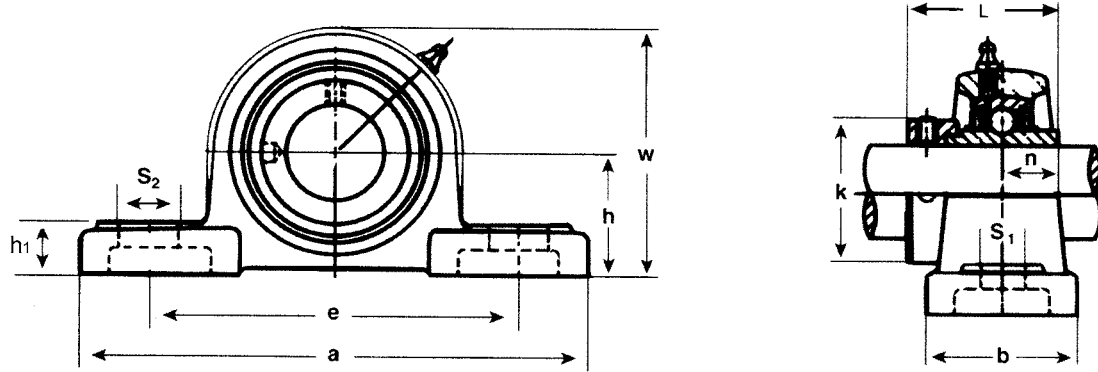
Note: To specify relubricatable units, add "G" suffix (e.g., SBLP205-16G).



RADIAL BALL BEARING AND PILLOW BLOCK

Pillow Blocks (Eccentric Locking Collar Type-Light Duty Inserts)

Series-SAP200
Series-SAAK200



SAP200-SERIES HIGH CENTER HEIGHT

Solid Base Type

Shaft Dia. in.	Unit No.	Dimensions(in.)											Bolt Used in.	Bearing No.	Housing No.	Weight		UNIT PRICE	
		h	a	e	b	S ₂	S ₁	h ₁	w	L	n	K				kg	lbs.		
1/2	SAP201-8														SA201-8	P202	0.57	1.39	12.50
5/8	SAP202-10	1-1/4	4-15/16	3-3/4	1-1/2	5/8	1/2	17/32	2-17/64	1.128	0.232	1-1/8	3/8	SA201-10		0.58	1.44		
3/4	SAP204-12	1-5/16	5	3-3/4	1-1/2	3/4	1/2	1/2	2-11/32	1.218	0.295	1-1/4	3/8	SA204-12	P204	0.65	1.43	12.50	
7/8	SAP205-14													SA205-14				14.50	
15/16	205-15	1-7/16	5-1/2	4-1/8	1-1/2	3/4	1/2	1/2	2-25/32	1.218	0.295	1-1/2	3/8	205-15	P205	0.85	1.87		
1	205-16													205-16					
1-1/16	SAP206-17													SA206-17				18.45	
1-1/8	206-18	1-11/16	6-1/2	4-3/4	1-7/8	13/16	21/32	19/32	3-5/16	1.406	0.354	1-3/4	1/2	206-18	P206	1.40	3.09		
1-3/16	206-19													206-19					
1-1/4	206-20													206-20					
1-1/4	SAP207-20													SA207-20				22.10	
1-5/16	207-21	1-7/8	6-9/16	5	1-7/8	13/16	21/32	5/8	3-21/32	1.531	0.374	2-3/16	1/2	207-21	P207	1.68	3.70		
1-3/8	207-22													207-22					
1-7/16	207-23													207-23					
1-1/2	SAP208-24	1-15/16	7-1/4	5-13/32	2-1/8	13/16	21/32	21/32	3-27/32	1.719	0.433	2-3/8	1/2	SA208-24	P208	2.12	4.67	27.71	

SAAK200-SERIES LOW CENTER HEIGHT

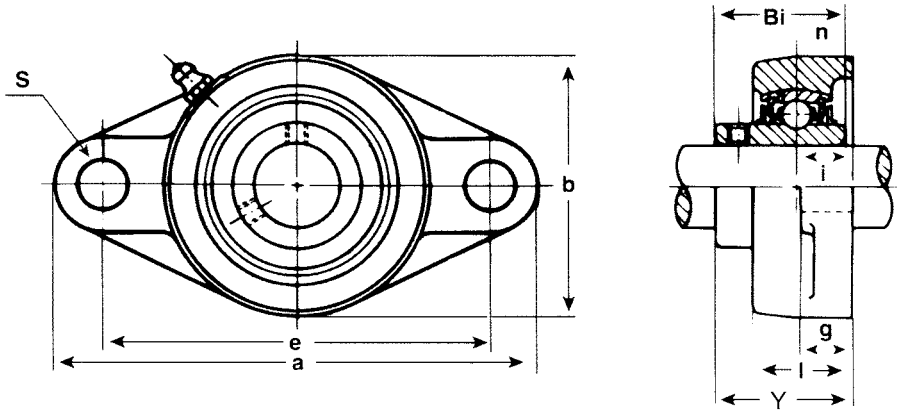
Shaft Dia. in.	Unit No.	Dimensions(in.)											Bolt Used in.	Bearing No.	Housing No.	Weight		UNIT PRICE
		h	a	e	b	S ₂	S ₁	h ₁	w	L	n	k				kg	lbs.	
3/4	SAAK204-12	1-1/4	5-1/4	3-7/8	1-5/8	9/16	7/16	9/16	2-1/2	1.218	0.295	1-1/4	3/8	SA201-12	AK204	0.84	1.85	12.50
7/8	SAAK205-14													SA205-14				14.50
15/16	205-15	1-5/16	5-1/2	4-1/8	1-3/4	9/16	7/16	5/8	2-11/16	1.218	0.295	1-1/2	3/8	205-15	AK205	0.99	2.18	
1	205-16													205-16				
1-1/16	SAAK206-17													SA206-17				18.45
1-1/8	206-18	1-9/16	6-5/16	4-3/4	1-7/8	3/4	9/16	11/16	3-5/32	1.406	0.354	1-3/4	1/2	206-18	AK206	1.39	3.06	
1-3/16	206-19													206-19				
1-1/4	206-20													206-20				
1-1/4	SAAK207-20													SA207-20				22.10
1-5/16	207-21	1-13/16	6-9/16	5	1-7/8	3/4	9/16	3/4	3-5/8	1.531	0.374	2-3/16	1/2	207-21	AK207	1.79	3.95	
1-3/8	207-22													207-22				
1-7/16	207-23													207-23				
1-1/2	SAAK208-24	1-15/16	7-1/8	5-1/2	2-1/8	3/4	9/16	3/4	3-15/16	1.719	0.433	2-3/8	1/2	SA208-24	AK208	2.11	4.65	27.71



RADIAL BALL BEARING AND PILLOW BLOCK

2-Bolt Flang Units (Set Screw Type)

Series-UCFL200



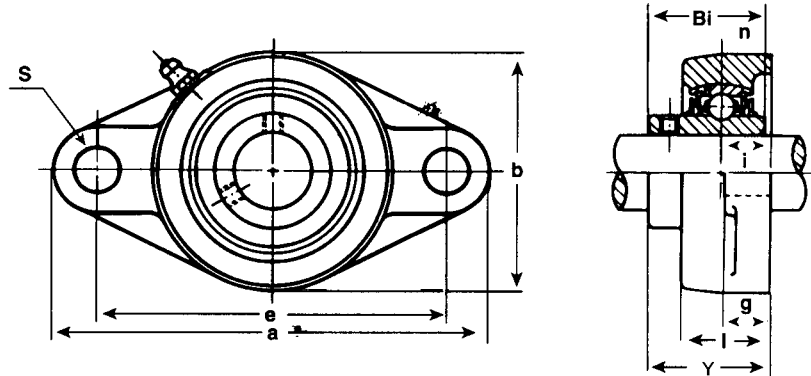
Shaft Dia.		Unit No.	Dimensions(in.)										Bolt Used in	Bearing No.	Housing No.	Weight		Unit Price	
mm	in.		a	e	i	g	l	s	b	Y	Bi	n				kg	lbs.		
12	1/2	UCFL201-8													UC201-8				
	5/8	202-10													202-10				
	3/4	204-12													204-12				
		UCFL201	4-7/16	3-35/64	19/32	7/16	1	15/32	2-3/8	1-5/16	1.2205	0.5000	3/8	UC201	FL204	0.50	1.10	10.50	
15		202												202					
17		203												203					
20		204												204					
25	7/8	UCFL205-14												UC205-14					
	15/16	205-15												205-15					
	1	205-16												205-16					
		UCFL205	5-1/8	3-57/64	5/8	1/2	1-1/16	5/8	2-11/16	1-15/32	1.3386	0.5630	1/2	UC205	FL205	0.70	1.54	12.95	
30	1-1/16	UCFL206-17												UC206-17					
	1-1/8	206-18												206-18					
	1-3/16	206-19												206-19					
	1-1/4	206-20												206-20					
		UCFL206	5-13/16	4-39/64	45/64	1/2	1-7/32	5/8	3-5/32	1-19/32	1.5000	0.6260	1/2	UC206	FL206	0.98	2.16	16.35	
35	1-1/4	UCFL207-20												UC207-20					
	1-5/16	207-21												207-21					
	1-3/8	207-22												207-22					
	1-7/16	207-23												207-23					
	UCFL207	6-11/32	5-1/8	3/4	9/16	1-11/32	5/8	3-17/32	1-3/4	1.6890	0.6890	1/2	UC207	FL207	1.35	2.98	20.10		
40	1-1/2	UCFL208-24												UC208-24					
	1-9/16	208-25												208-25					
		UCFL208	6-7/8	5-43/64	53/64	9/16	1-13/32	5/8	3-15/16	2-1/64	1.9370	0.7480	1/2	UC208	FL208	1.69	3.73	24.17	
45	1-5/8	UCFL209-26												UC209-26					
	1-11/16	209-27												209-27					
	1-3/4	209-28												209-28					
	UCFL209	7-13/32	5-53/64	55/64	19/32	1-1/2	3/4	4-1/4	2-1/16	1.9370	0.7480	5/8	UC209	FL209	2.04	4.50	26.11		
50	1-7/8	UCFL210-30												UC210-30					
	1-15/16	210-31												210-31					
		UCFL210	7-3/4	6-3/16	55/64	19/32	1-9/16	3/4	4-17/32	2-5/32	2.0315	0.7480	5/8	UC210	FL210	2.30	5.07	32.52	
55	2	UCFL211-32												UC211-32					
	2-1/8	211-34												211-34					
	2-3/16	211-35												211-35					
		UCFL211	8-13/16	7-1/4	63/64	23/32	1-11/16	3/4	5-1/8	2-5/16	2.1890	0.8740	5/8	UC211	FL211	3.30	7.28	42.50	
60	2-1/4	UCFL212-36												UC212-36					
	2-3/8	212-38												212-38					
	2-7/16	212-39												212-39					
	UCFL212	9-27/32	7-61/64	1-9/64	23/32	1-7/8	29/32	5-1/2	2-23/32	2.5630	1.0000	3/4	UC212	FL212	4.30	9.48	52.80		
65	2-1/2	UCFL213-40												UC213-40					
		UCFL213	10-5/32	8-17/64	1-3/16	25/32	1-31/32	29/32	6-3/32	2-3/4	2.5630	1.0000	3/4	UC213	FL213	5.40	11.90	69.70	



RADIAL BALL BEARING AND PILLOW BLOCK

2-Bolt Flang Units (Set Screw Type)

Series-UCFT200



Shaft Dia.		Unit No.	Dimensions (In.)										Bolt Used In.	Bearing No.	Housing No.	Weight		Unit Price	
mm	in.		a	e	i	g	l	s	b	Y	Bi	n				kg	lbs.		
12	1/2	UCFT201-8	4-13/32	3-17/32	3/4	7/16	1-5/32	13/32	2-3/8	1-25/32	1.2205	0.5000	5/16	UC201-8	FT204	0.58	1.28	10.50	
	5/8	202-10												UC201					UC201-8
	3/4	204-12												202					202-10
														203					204-12
15																			
17																			
20																			
25	7/8	UCFT205-14	4-7/8	3-57/64	25/32	17/32	1-7/32	1/2	2-3/4	1-27/32	1.3386	0.5630	3/8	UC205-14	FT205	0.83	1.83	12.95	
	15/16	205-15												UC205					UC205-14
	1	205-16												202					205-15
30	1-1/16	UCFT206-17	5-9/16	4-19/32	53/64	17/32	1-11/32	1/2	3-1/4	2	1.5000	0.6260	3/8	UC206-17	FT206	1.05	2.32	16.35	
	1-1/8	206-18												UC206					UC206-17
	1-3/16	206-19												202					206-18
		206-20												203					206-19
	1-1/4	206-20												204					206-20
35	1-1/4	UCFT207-20	6-1/8	5-1/8	27/32	9/16	1-7/16	35/64	3-3/4	2-1/8	1.6890	0.6890	7/16	UC207-20	FT207	1.57	3.46	20.10	
	1-5/16	207-21												UC207					UC207-20
	1-3/8	207-22												202					207-21
	1-7/16	207-23												203					207-22
40	1-1/2	UCFT208-24	6-3/4	5-21/32	15/16	9/16	1-17/32	35/64	4-1/8	2-5/16	1.9370	0.7480	7/16	UC208-24	FT208	1.97	4.34	24.71	
	1-9/16	208-25												UC208					UC208-24
														UC208					208-25
45	1-5/8	UCFT209-26	7-1/16	5-27/32	15/16	9/16	1-9/16	5/8	4-3/8	2-5/16	1.9370	0.7480	1/2	UC209-26	FT209	2.32	5.12	26.11	
	1-11/16	209-27												UC209					UC209-26
		209-28												202					209-27
	1-3/4	209-28												203					209-28
50	1-7/8	UCFT210-30	7-7/16	6-3/16	1-1/8	9/16	1-27/32	5/8	4-9/16	2-5/8	2.0315	0.7480	1/2	UC210-30	FT210	2.70	5.95	32.52	
	1-15/16	210-31												UC210					UC210-30
														UC210					210-31
55	2	UCFT211-32	8-1/2	7-1/4	1-17/64	13/16	1-31/32	45/64	5-1/4	2-31/32	2.1890	0.8740	9/16	UC211-32	FT211	4.06	8.95	42.50	
	2-1/8	211-34												UC211					UC211-32
		211-35												202					211-34
	2-3/16	211-35												203					211-35

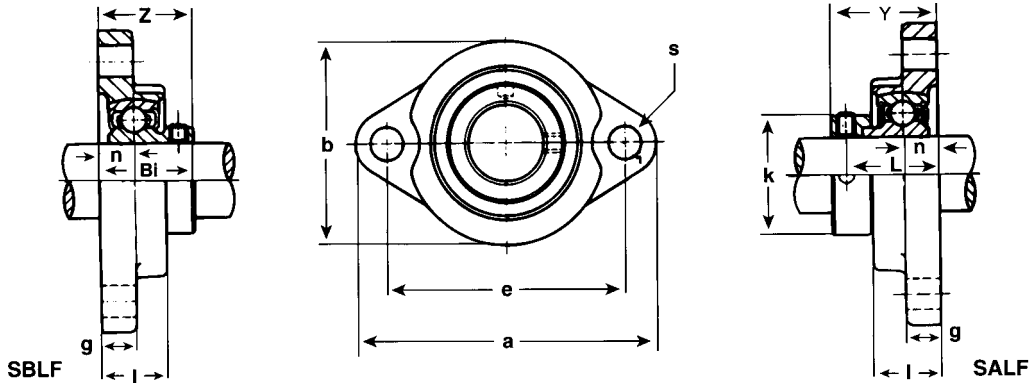


RADIAL BALL BEARING AND PILLOW BLOCK

2-Bolt Flange Unit (Light Duty Cast Iron Housings)

Series-SBLF200

Series-SALF200



SBLF200-SERIES SET SCREW TYPE

Shaft Dia. in.	Unit No.	Dimensions (in.)									Bolt Used in.	Bearing No.	Housing No.	Weight		Unit Price
		a	e	g	l	s	b	Y	Bi	n				kg	lbs.	
1/2	SBLF201-8	3-3/16	2-1/2	3/8	23/32	5/16	2-7/32	1	0.866	0.236	1/4	SB201-8	LF203	0.27	0.60	10.50
5/8	202-10											202-10				
3/4	SBLF204-12	3-17/32	2-13/16	7/16	25/32	25/64	2-13/32	1-5/32	0.984	0.275	5/16	SB204-12	LF204	0.30	0.66	10.50
7/8	SBLF205-14											SB205-14				
15/16	205-15	3-3/4	2-63/64	7/16	25/32	25/64	2-17/32	1-3/16	1.062	0.295	5/16	205-15	LF205	0.39	0.86	11.50
1	205-16											205-16				
1-1/16	SBLF206-17											SB206-17				
1-1/8	206-18	4-7/16	3-9/16	15/32	7/8	15/32	3	1-11/32	1.181	0.315	3/8	206-18	LF206	0.56	1.23	15.20
1-3/16	206-19											206-19				
1-1/4	206-20											206-20				
1-1/4	SBLF207-20											SB207-20				
1-5/16	207-21	4-13/16	3-15/16	33/64	15/16	15/32	3-1/2	1-7/16	1.259	0.335	3/8	207-21	LF207	0.77	1.70	19.10
1-3/8	207-22											207-22				
1-7/16	207-23											207-23				

SALF200-SERIES ECCENTRIC LOCKING COLLAR TYPE

Shaft Dia. in.	Unit No.	Dimensions (in.)										Bolt Used in.	Bearing No.	Housing No.	Weight		Unit Price
		a	e	g	l	s	b	Y	L	n	k				kg	lbs.	
1/2	SALF201-8	3-3/16	2-1/2	3/8	23/32	5/16	2-7/32	1-1/4	1.125	0.256	1-1/8	1/4	SA201-8	LF203	0.30	0.66	10.50
5/8	202-10												202-10				
3/4	SALF204-12	3-17/32	2-13/16	7/16	25/32	25/64	2-13/32	1-3/8	1.128	0.295	1-1/4	5/16	SA204-12	LF204	0.34	0.75	10.50
7/8	SALF205-14												SA205-14				
15/16	205-15	3-3/4	2-63/64	7/16	25/32	25/64	2-17/32	1-3/8	1.128	0.295	1-1/2	5/16	205-15	LF205	0.44	0.97	11.50
1	205-16												205-16				
1-1/16	SALF206-17												SA206-17				
1-1/8	206-18	4-7/16	3-9/16	15/32	7/8	15/32	3	1-17/32	1.406	0.354	1-3/4	3/8	206-18	LF206	0.64	1.41	15.20
1-3/16	206-19												206-19				
1-1/4	206-20												206-20				
1-1/4	SALF207-20												SA207-20				
1-5/16	207-21	4-13/16	3-15/16	33/64	15/16	15/32	3-1/2	1-11/16	1.531	0.374	2-3/16	3/8	207-21	LF207	0.92	2.03	19.10
1-3/8	207-22												207-22				
1-7/16	207-23												207-23				

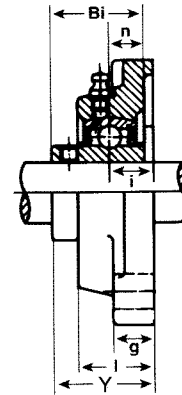
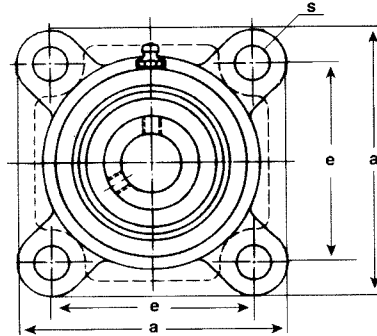
Note: To specify relubricatable units, add "G" suffix, (e.g., SBLF205-16G).



RADIAL BALL BEARING AND PILLOW BLOCK

4-Bolt Flange Units (Set Screw Type)

Series-UCF200

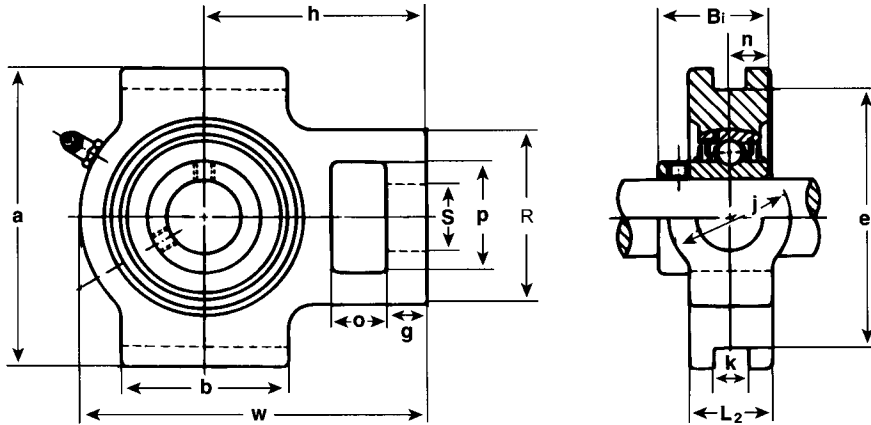


Shaft Dia.		Unit No.	Dimensions(in.)										Bolt Used in.	Bearing No.	Housing No.	Weight		Unit Price	
mm	in.		a	e	i	g	l	s	Y	Bi	n	kg				lbs.			
12	1/2	UCF201-8	3-3/8	2-33/64	19/32	15/32	1	15/32	1-5/16	1.2205	0.5000	3/8	UC201-8	F204	0.65	1.43	10.50		
	5/8	202-10											UC201						
	3/4	204-12											202						
		UCF202											203						
15		UCF203																	
17		UCF204																	
20																			
25	7/8	UCF205-14	3-3/4	2-3/4	5/8	9/16	1-1/16	15/32	1-13/32	1.3386	0.5630	3/8	UC205-14	F205	0.85	1.87	12.95		
	15/16	205-15											UC205						
	1	205-16											UC205						
		UCF205											UC205						
30	1-1/16	UCF206-17	4-1/4	3-17/64	45/64	9/16	1-7/32	15/32	1-19/32	1.5000	0.6260	3/8	UC206-17	F206	1.15	2.54	16.35		
	1-1/8	206-18											UC206						
	1-3/16	206-19											UC206						
	1-1/4	206-20											UC206						
35	1-1/4	UCF207-20	4-19/32	3-5/8	3/4	5/8	1-11/32	35/64	1-3/4	1.6890	0.6890	7/16	UC207-20	F207	1.60	3.53	20.10		
	1-5/16	207-21											UC207						
	1-3/8	207-22											UC207						
	1-7/16	207-23											UC207						
40	1-1/2	UCF208-24	5-1/8	4-1/64	53/64	5/8	1-13/32	5/8	2-1/64	1.9370	0.7480	1/2	UC208-24	F208	2.05	4.52	24.17		
	1-9/16	208-25											UC208						
		UCF208											UC208						
45	1-5/8	UCF209-26	5-13/32	4-9/64	55/64	23/32	1-1/2	5/8	2-1/16	1.9370	0.7480	1/2	UC209-26	F209	2.38	5.25	26.11		
	1-11/16	209-27											UC209						
	1-3/4	209-28											UC209						
		UCF209											UC209						
50	1-7/8	UCF210-30	5-5/8	4-3/8	55/64	23/32	1-9/16	5/8	2-5/32	2.0315	0.7480	1/2	UC210-30	F210	2.50	5.51	32.52		
	1-15/16	210-31											UC210						
		UCF210											UC210						
55	2	UCF211-32	6-3/8	5-1/8	63/64	25/32	1-11/16	3/4	2-5/16	2.1890	0.8740	5/8	UC211-32	F211	3.60	7.94	42.50		
	2-1/8	211-34											UC211						
	2-3/16	211-35											UC211						
		UCF211											UC211						
60	2-1/4	UCF212-36	6-7/8	5-5/8	1-9/16	25/32	1-7/8	3/4	2-23/32	2.5630	1.0000	5/8	UC212-36	F212	4.90	10.8	52.80		
	2-3/8	212-38											UC212						
	2-7/16	212-39											UC212						
		UCF212											UC212						
65	2-1/2	213-40	7-3/8	5-55/64	1-3/16	25/32	1-31/32	3/4	2-3/4	2.5630	1.0000	5/8	UC213-40	F213	5.90	13.0	69.70		
		UCF213											UC213						
70	2-3/4	UCF214-44	7-19/32	5-63/64	1-7/32	15/64	2-1/8	3/4	2-31/32	2.9370	1.1890	5/8	UC214-44	F214	6.30	13.90	78.50		
		UCF214											UC214						
75	2-15/16	UCF215-47	7-7/8	6-17/64	1-11/32	15/16	2-7/32	3/4	3-3/32	3.0630	1.3110	5/8	UC215-47	F215	6.80	15.0	93.50		
	3	UCF215-48											UC215						
		UCF215											UC215						



RADIAL BALL BEARING AND PILLOW BLOCK

Take-Up Units (Wide Slot- Set Screw Type) Series-UCST200



Shaft Dia.		Unit No.	Dimensions (in.)														Bearing No.	Housing No.	Weight		Unit Price	
mm	in.		o	g	R	p	s	b	k	e	a	w	j	L ₂	h	Bi			n	kg		lbs.
12	1/2	UCST201-8																UC201-8	ST204	0.80	1.76	13.50
	5/8	202-10															202-10					
	3/4	204-12															204-12					
		UCST201	5/8	3/8	2	1-1/4	3/4	2	17/32	3	3-1/2	3-11/16	1-1/4	15/16	2-3/8	1.2205	0.5000	UC201				
		202																202				
15		203																203				
17		204																204				
20																						
25	7/8	UCST205-14																UC205-14	ST205	0.86	1.90	15.95
	15/16	205-15															205-15					
	1	205-16															205-16					
		UCST205	5/8	3/8	2	1-1/4	7/8	2	17/32	3	3-1/2	3-13/16	1-1/4	15/16	2-7/16	1.3386	0.5630	UC205				
30	1-1/16	UCST206-17																UC206-17	ST206	1.28	2.82	19.50
	1-1/8	206-18															206-18					
	1-3/16	206-19															206-19					
	1-1/4	206-20															206-20					
		UCST206	5/8	3/8	2-3/16	1-7/16	7/8	2-1/4	17/32	3-1/2	4	4-7/16	1-7/16	15/16	2-3/4	1.5000	0.6260	UC206				
35	1-1/4	UCST207-20																UC207-20	ST207	1.68	3.70	23.10
	1-5/16	207-21															207-21					
	1-3/8	207-22															207-22					
	1-7/16	207-23															207-23					
		UCST207	5/8	1/2	2-1/2	1-7/16	7/8	2-1/2	17/32	3-1/2	4	5-1/16	1-7/16	1-3/16	3-1/16	1.6890	0.6890	UC207				
40	1-1/2	UCST208-24																UC208-24	ST208	2.42	5.34	28.71
	1-9/16	208-25															208-25					
		UCST208	3/4	5/8	3-1/4	1-15/16	1-1/8	3-1/4	11/16	4	4-1/2	5-11/16	1-15/16	1-3/8	3-1/2	1.9370	0.7480	UC208				
45	1-5/8	UCST209-26																UC209-26	ST209	2.52	5.56	29.50
	1-11/16	209-27															209-27					
	1-3/4	209-28															209-28					
		UCST209	3/4	5/8	3-1/4	1-15/16	1-1/8	3-1/4	11/16	4	4-5/8	5-11/16	1-15/16	1-3/8	3-7/16	1.9370	0.7480	UC209				
50	1-7/8	UCST210-30																UC210-30	ST210	2.75	6.06	37.50
	1-15/16	210-31															210-31					
		UCST210	3/4	5/8	3-1/4	1-15/16	1-1/8	3-1/4	11/16	4	4-5/8	5-7/8	1-15/16	1-3/8	3-9/16	2.0315	0.7480	UC210				
55	2	UCST211-32																UC211-32	ST211	4.10	9.04	49.50
	2-1/8	211-34															211-34					
	2-3/16	211-35															211-35					
		UCST211	1	3/4	4	2-1/2	1-3/8	3-3/4	1-1/16	5-1/8	5-3/4	6-3/4	2-1/2	1-5/8	4-3/16	2.1890	0.8740	UC211				
60	2-1/4	UCST212-36																UC212-36	ST212	5.20	11.5	62.50
	2-3/8	212-38															212-38					
	2-7/16	212-39															212-39					
		UCST212	1-1/4	3/4	4	2-1/2	1-3/8	4	1-1/16	5-1/8	5-3/4	7-5/8	2-1/2	1-13/16	4-11/16	2.5630	1.0000	UC212				
65	2-1/2	UCST213-40																UC213-40	ST213	7.05	15.5	
		UCST213	1-1/4	13/16	4-3/8	2-3/4	1-5/8	4-3/4	1-1/16	5-15/16	6-9/16	8-13/16	2-3/4	2	5-3/8	2.5630	1.0000	UC213				

Note: Narrow slot take-up housings can be tooled (e.g., UCSTN 205-16).