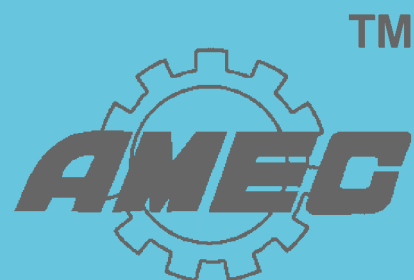




SHEAVE

(IN STOCK)



SHEAVE

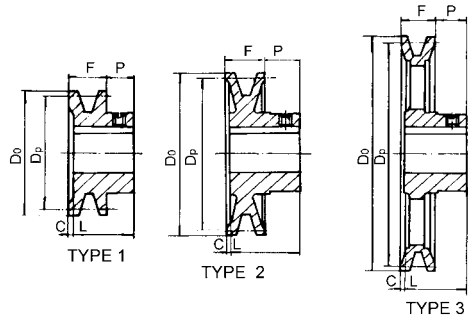
Light Duty Bore-To-Size Sheaves A.1 TO A.5
Light Duty Variable pitch Sheaves A.6
Light Duty QD Sheaves A.7 TO A.11
Heavy Duty QD A-B C Sheaves A.12 TO A.19
Heavy Duty QD 3V 5V 8V Sheaves A.20 TO A.28

- Shaves** - We use a high grade 35 Cast Iron on all of our Sheaves
- Our Sheaves have a considerably higher tensile strength and resistance to wear than conventional grade 25 Sheaves.
 - To inhibit rust, we use an undercoating of paint that contains protective phosphate agents.
 - We use automated balancing for each Sheave to insure smoother performance and longer life.



S H E A V E

Light Duty Bored-To-Size Sheaves



Single Groove Sheaves for
"3L" "4L" & "A" Belts



Part No.	Diameters(in.)			Type	Dimensions(in.)				Stock Bores(in.)	List Price
	D ₀	D _P			F	L	P	C		
		"3L"	"4L+A"							
AK20	2.00	1.46	1.80	1	21/32	15/16	7/16	5/32	1/2, 5/8, 3/4	8.48
AK21	2.10	1.56	1.90	1	21/32	15/16	7/16	5/32	1/2, 5/8, 3/4	9.02
AK22	2.20	1.66	2.00	1	21/32	15/16	7/16	5/32	1/2, 5/8, 3/4	9.55
AK23	2.30	1.76	2.10	1	21/32	15/16	7/16	5/32	1/2, 5/8, 3/4, 7/8	10.18
AK25	2.50	1.96	2.30	2	21/32	15/16	7/16	5/32	1/2, 5/8, 3/4, 7/8, 1	10.80
AK26	2.60	2.06	2.40	2	21/32	15/16	7/16	5/32	1/2, 5/8, 3/4	11.43
AK27	2.70	2.16	2.50	2	21/32	15/16	7/16	5/32	1/2, 5/8, 3/4	12.05
AK28	2.80	2.26	2.60	2	21/32	15/16	7/16	5/32	1/2, 5/8, 3/4, 7/8, 1	12.41
AK30	3.05	2.46	2.80	2	21/32	15/16	7/16	5/32	1/2, 5/8, 3/4, 7/8, 1	13.30
AK32	3.25	2.66	3.00	2	21/32	15/16	7/16	5/32	1/2, 5/8, 3/4, 7/8, 1, 1 1/8	14.02
AK34	3.45	2.86	3.20	2	21/32	15/16	7/16	5/32	1/2, 5/8, 3/4, 7/8, 1, 1 1/8	14.91
AK39	3.75	3.16	3.50	2	3/4	15/32	15/32	1/16	1/2, 5/8, 3/4, 7/8, 15/16, 1, 1 1/8	17.32
AK41	3.95	3.36	3.70	2	3/4	15/32	15/32	1/16	1/2, 5/8, 3/4, 7/8, 15/16, 1,	18.48
AK44	4.25	3.66	4.00	3	3/4	15/32	15/32	1/16	1/2, 5/8, 3/4, 7/8, 15/16, 1, 1 1/8	20.00
AK46	4.45	3.86	4.20	3	3/4	15/32	15/32	1/16	1/2, 5/8, 3/4, 7/8, 15/16, 1, 1 1/8	21.16
AK49	4.75	4.16	4.50	3	3/4	15/32	15/32	1/16	1/2, 5/8, 3/4, 7/8, 15/16, 1, 1 1/8	21.96
AK51	4.95	4.36	4.70	3	3/4	15/32	15/32	1/16	1/2, 5/8, 3/4, 7/8, 1, 1 1/8	22.77
AK54	5.25	4.66	5.00	3	3/4	15/32	15/32	1/16	1/2, 5/8, 3/4, 7/8, 15/16, 1, 1 1/8, 1 3/16	23.39
AK56	5.45	4.86	5.20	3	3/4	15/32	15/32	1/16	1/2, 5/8, 3/4, 7/8, 15/16, 1, 1 1/8, 1 3/16	24.38
AK59	5.75	5.16	5.50	3	3/4	15/32	15/32	1/16	1/2, 5/8, 3/4, 7/8, 15/16, 1, 1 1/8, 1 3/16	25.54
AK61	5.95	5.36	5.70	3	3/4	15/32	15/32	1/16	1/2, 5/8, 3/4, 7/8, 15/16, 1, 1 1/8, 1 3/16	26.25
AK64	6.25	5.66	6.00	3	3/4	15/32	15/32	1/16	1/2, 5/8, 3/4, 7/8, 15/16, 1, 1 1/8, 1 3/16	27.50
AK66	6.45	5.86	6.20	3	3/4	15/32	15/32	1/16	1/2, 5/8, 3/4, 1, 1 1/8,	28.30
AK69	6.75	6.16	6.50	3	3/4	1 15/32	23/32	0	3/4, 1, 1 1/8,	32.41
AK71	6.95	6.36	6.70	3	3/4	1 15/32	23/32	0	1/2, 5/8, 3/4, 1, 1 1/8, 1 7/16,	33.30
AK74	7.25	6.66	7.00	3	3/4	1 15/32	23/32	0	1/2, 5/8, 3/4, 15/16, 1, 1 1/8, 1 3/16, 1 1/4, 1 7/16	34.20
AK79	7.75	7.16	7.50	3	3/4	1 15/32	23/32	0	3/4, 1, 1 1/8, 1 7/16,	40.89
AK84	8.25	7.66	8.00	3	3/4	1 15/32	23/32	0	1/2, 5/8, 3/4, 15/16, 1, 1 3/16, 1 7/16	42.68
AK89	8.75	8.16	8.50	3	3/4	1 15/32	23/32	0	3/4, 1, 1 1/8, 1 7/16	44.64
AK94	9.25	8.66	9.00	3	3/4	1 15/32	23/32	0	1/2, 5/8, 3/4, 15/16, 1, 1 3/16, 1 1/4, 1 7/16	47.59
AK99	9.75	9.16	9.50	3	3/4	1 15/32	23/32	0	3/4, 1, 1 7/16	50.00
AK104	10.25	9.66	10.00	3	3/4	1 15/32	23/32	0	5/8, 3/4, 1, 1 3/16, 1 1/4, 1 3/8, 1 7/16	51.70
AK109	10.75	10.16	10.50	3	3/4	1 15/32	23/32	0	3/4, 1, 1 3/8, 1 7/16	53.93
AK114	11.25	10.66	11.00	3	3/4	1 15/32	23/32	0	3/4, 1, 1 3/16, 1 7/16	57.68
AK124	12.25	11.66	12.00	3	3/4	1 15/32	23/32	0	5/8, 3/4, 1, 1 3/16, 1 1/4, 1 7/16	63.57
AK134	13.25	12.66	13.00	3	3/4	1 15/32	23/32	0	3/4, 1, 1 3/16, 1 3/8, 1 7/16	70.71
AK144	14.25	13.66	14.00	3	3/4	1 15/32	23/32	0	3/4, 1, 1 3/16, 1 7/16	77.95
AK154	15.25	14.66	15.00	3	3/4	1 15/32	23/32	0	3/4, 1, 1 3/16, 1 3/8, 1 7/16	787.77
AK184	18.25	17.66	18.00	3	3/4	1 15/32	23/32	0	3/4, 1, 1 3/16, 1 7/16	103.48

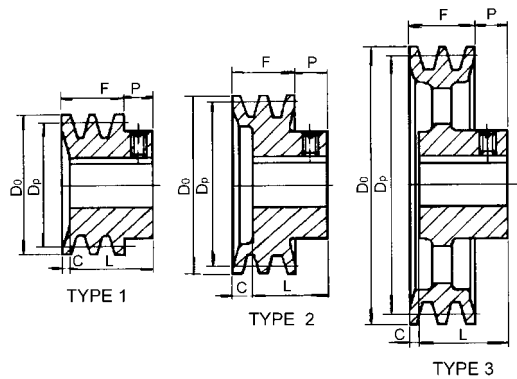
Standard Keyseats	
Bore-Range	Keyseat
1/2	None
5/8 - 7/8	3/16 X 3/32
15/16 - 1 1/4	1/4 X 1/8
1 7/16	3/8 X 3/16

AK sheaves are precision machined from gray cast iron, statically balanced painted with baked enamel finish and individually packaged. Sheaves are furnished with standard keyways & set screws.



S H E A V E

Light Duty Bored-To-Size Sheaves



Two Groove Sheaves for
“3L” “4L” & “A” Belts



Part No.	Diameters(in.)			Type	Dimensions(in.)				Stock Bores(in.)	List Price
	D ₀	D _p			F	L	P	C		
		“3L”	“4L+A”							
2AK20	2.00	1.46	1.80	1	13/8	121/32	15/32	3/16	1/2, 5/8, 3/4, 7/8	20.60
2AK21	2.15	1.56	1.90	1	13/8	121/32	15/32	3/16	1/2, 5/8, 3/4	21.65
2AK22	2.25	1.66	2.00	1	13/8	121/32	15/32	3/16	1/2, 5/8, 3/4, 7/8	22.70
2AK23	2.35	1.76	2.10	1	13/8	121/32	15/32	3/16	5/8, 3/4, 7/8, 1	22.80
2AK25	2.55	1.96	2.30	1	13/8	121/32	15/32	3/16	5/8, 3/4, 7/8, 1 1/8	22.90
2AK26	2.65	2.06	2.40	1	13/8	121/32	15/32	3/16	5/8, 3/4, 7/8, 1	24.50
2AK27	2.75	2.16	2.50	1	13/8	121/32	15/32	3/16	1/2, 5/8, 3/4, 7/8, 1	26.10
2AK28	2.85	2.26	2.60	1	13/8	121/32	15/32	3/16	5/8, 3/4, 7/8, 1	28.40
2AK30	3.05	2.46	2.80	1	13/8	121/32	15/32	3/16	1/2, 5/8, 3/4, 7/8, 1, 1 1/8	30.70
2AK32	3.25	2.66	3.00	1	13/8	121/32	15/32	3/16	5/8, 3/4, 7/8, 1, 1 1/8	34.60
2AK34	3.45	2.86	3.20	1	13/8	121/32	15/32	3/16	5/8, 3/4, 7/8, 1, 1 1/8	35.70
2AK39	3.75	3.16	3.50	2	13/8	111/32	15/32	1/2	5/8, 3/4, 7/8, 1, 1 1/8	36.30
2AK41	3.95	3.36	3.70	2	13/8	111/32	15/32	1/2	5/8, 3/4, 7/8, 1, 1 1/8	40.41
2AK44	4.25	3.66	4.00	2	13/8	111/32	15/32	1/2	5/8, 3/4, 7/8, 1, 1 1/8	41.55
2AK46	4.45	3.86	4.20	2	13/8	111/32	15/32	1/2	7/8, 1, 1 1/8	43.28
2AK49	4.75	4.16	4.50	2	13/8	111/32	15/32	1/2	3/4, 7/8, 1, 1 1/8, 1 3/8	44.28
2AK51	4.95	4.36	4.70	2	13/8	111/32	15/32	1/2	3/4, 7/8, 1, 1 1/8, 1 3/8	45.36
2AK54	5.25	4.66	5.00	3	13/8	111/32	15/32	1/2	5/8, 3/4, 7/8, 1, 1 1/8, 1 3/8	45.82
2AK56	5.45	4.86	5.20	3	13/8	111/32	15/32	1/2	5/8, 3/4, 7/8, 1, 1 1/8, 1 3/8	46.63
2AK59	5.75	5.16	5.50	3	13/8	111/32	15/32	1/2	1, 1 1/8, 1 3/8	50.44
2AK61	5.95	5.36	5.70	3	13/8	111/32	15/32	1/2	3/4, 7/8, 1, 1 1/8, 1 3/8	51.99
2AK64	6.25	5.66	6.00	3	13/8	119/32	11/32	1/8	3/4, 1, 1 1/8, 1 3/16, 1 3/8, 1 7/16	54.35
2AK74	7.25	6.66	7.00	3	13/8	119/32	11/32	1/8	3/4, 1, 1 1/8, 1 3/16, 1 3/8, 1 7/16	61.88
2AK84	8.25	7.66	8.00	3	13/8	119/32	11/32	1/8	3/4, 1 15/16, 1 1/8, 1 3/16, 1 3/8, 1 7/16	67.60
2AK94	9.25	8.66	9.00	3	13/8	119/32	11/32	1/8	3/4, 1, 1 1/8, 1 3/16, 1 3/8, 1 7/16	73.67
2AK104	10.25	9.66	10.00	3	13/8	119/32	11/32	1/8	3/4, 1 15/16, 1, 1 7/16	79.16
2AK114	11.25	10.66	11.00	3	13/8	119/32	11/32	1/8	3/4, 1, 1 3/16, 1 3/8, 1 7/16	85.92
2AK124	12.25	11.66	12.00	3	13/8	119/32	11/32	1/8	3/4, 1, 1 3/16, 1 7/16	94.08
2AK134	13.25	12.66	13.00	3	13/8	119/32	11/32	1/8	1 3/16, 1 7/16	110.78
2AK144	14.25	13.66	14.00	3	13/8	119/32	11/32	1/8	1, 1 7/16	117.04
2AK154	15.25	14.66	15.00	3	13/8	119/32	11/32	1/8	1 3/16, 1 7/16	135.00
2AK184	18.25	17.66	18.00	3	13/8	119/32	11/32	1/8	1 3/16, 1 7/16	170.12

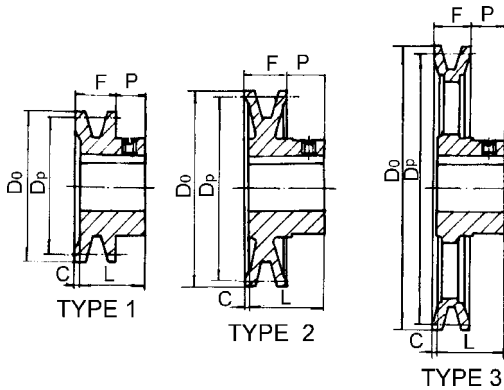
Standard Keyseats	
Bore-Range	Keyseat
1/2	None
5/8 - 7/8	3/16 X 3/32
15/16 - 1 1/4	1/4 X 1/8
1 7/16	3/8 X 3/16

2AK sheaves are precision machined from gray cast iron, statically balanced painted with baked enamel finish and individually packaged. Sheaves are furnished with standard keyways & set screws.



SHEAVE

Light Duty Bored-To-Size Sheaves



Single Groove Sheaves for
"4L" "5L" & "B" Belts



Part No.	Diameters(in.)			Type	Dimensions(in.)				Stock Bores(in.)	List Price
	D ₀	D _p			F	L	P	C		
		"4L"	"5L+B"							
BK24	2.40	1.80	2.20	1	13/16	11/16	13/32	5/32	1/2, 5/8, 3/4	10.80
BK25	2.50	1.90	2.30	1	13/16	11/16	13/32	5/32	1/2, 5/8, 3/4, 7/8, 1	11.16
BK26	2.60	2.00	2.40	1	13/16	11/16	13/32	5/32	1/2, 5/8, 3/4, 7/8	12.05
BK27	2.70	2.10	2.50	2	13/16	11/16	13/32	5/32	1/2, 5/8, 3/4, 7/8, 1	12.86
BK28	2.95	2.20	2.60	2	13/16	11/16	13/32	5/32	1/2, 5/8, 3/4, 7/8, 1, 1 1/8	13.75
BK30	3.15	2.40	2.80	2	13/16	11/16	13/32	5/32	1/2, 5/8, 3/4, 7/8, 1	15.09
BK32	3.35	2.60	3.00	2	13/16	11/16	13/32	5/32	1/2, 5/8, 3/4, 7/8	16.43
BK34	3.55	2.80	3.20	2	7/8	15/32	13/32	1/8	1/2, 5/8, 3/4, 7/8, 1, 1 1/8	17.32
BK36	3.75	3.00	3.40	2	7/8	15/32	13/32	1/8	1/2, 5/8, 3/4, 7/8, 1, 1 1/8	18.13
BK40	3.95	3.20	3.60	2	7/8	15/32	13/32	1/8	1/2, 5/8, 3/4, 7/8, 1, 1 1/8	19.46
BK45	4.25	3.50	3.90	2	7/8	15/32	13/32	1/8	1/2, 5/8, 3/4, 7/8, 1, 1 1/8	21.25
BK47	4.45	3.70	4.10	2	7/8	15/32	13/32	1/8	1/2, 5/8, 3/4, 7/8, 1, 1 1/8	22.59
BK50	4.75	4.00	4.40	3	7/8	15/32	13/32	1/8	1/2, 5/8, 3/4, 7/8, 15/16, 1, 1 1/8	24.38
BK52	4.95	4.20	4.60	3	7/8	15/32	13/32	1/8	1/2, 5/8, 3/4, 7/8, 1, 1 1/8	25.00
BK55	5.25	4.50	4.90	3	7/8	15/32	13/32	1/8	1/2, 5/8, 3/4, 7/8, 1, 1 1/8, 13/16	26.07
BK57	5.45	4.70	5.10	3	7/8	15/32	13/32	1/8	5/8, 3/4, 7/8, 15/16, 1, 1 1/8	26.96
BK60	5.75	5.00	5.40	3	7/8	15/32	13/32	1/8	1/2, 5/8, 3/4, 7/8, 1, 1 1/8, 13/16	28.30
BK62	5.95	5.20	5.60	3	7/8	15/32	13/32	1/8	1/2, 5/8, 3/4, 7/8, 15/16, 1, 1 1/8, 13/16	29.11
BK65	6.25	5.50	5.90	3	7/8	15/32	13/32	1/8	5/8, 3/4, 1, 1 1/8	30.45
BK67	6.45	5.70	6.10	3	7/8	15/32	13/32	1/8	5/8, 3/4, 1, 1 1/8	31.88
BK70	6.75	6.00	6.40	3	7/8	115/32	21/32	1/16	5/8, 3/4, 15/16, 1, 1 1/8, 13/16, 17/16	35.98
BK72	6.95	6.20	6.60	3	7/8	115/32	21/32	1/16	3/4, 1, 1 1/8, 13/8	36.88
BK75	7.25	6.50	6.90	3	7/8	115/32	21/32	1/16	3/4, 1, 1 1/8, 13/8	38.57
BK77	7.45	6.70	7.10	3	7/8	115/32	21/32	1/16	3/4, 1, 1 1/8, 13/8	39.82
BK80	7.75	7.00	7.40	3	7/8	115/32	21/32	1/16	5/8, 3/4, 7/8, 1, 1 1/8, 13/16, 1 1/4, 13/8, 17/16	41.96
BK85	8.25	7.50	7.90	3	7/8	115/32	21/32	1/16	3/4, 1, 1 1/8, 13/8, 17/16	50.00
BK90	8.75	8.00	8.40	3	7/8	115/32	21/32	1/16	3/4, 7/8, 15/16, 1, 1 1/8, 13/16, 13/8, 17/16	52.05
BK95	9.25	8.50	8.90	3	7/8	115/32	21/32	1/16	3/4, 1, 1 1/8, 13/8, 17/16	54.64
BK100	9.75	9.00	9.40	3	7/8	115/32	21/32	1/16	3/4, 7/8, 15/16, 1, 1 1/8, 13/16, 1 1/4, 13/8, 17/16	57.86
BK105	10.25	9.50	9.90	3	7/8	115/32	21/32	1/16	1, 13/8, 17/16	60.54
BK110	10.75	10.00	10.40	3	7/8	115/32	21/32	1/16	3/4, 1, 1 1/8, 13/16, 13/8, 17/16	59.89
BK115	11.25	10.50	10.90	3	7/8	115/32	21/32	1/16	1, 13/8, 17/16	63.70
BL120	11.75	11.00	11.40	3	7/8	115/32	21/32	1/16	3/4, 1, 13/16, 1 1/4, 13/8, 17/16	68.12
BK130	12.75	12.00	12.40	3	7/8	115/32	21/32	1/16	3/4, 1, 1 1/8, 13/16, 1 1/4, 17/16	74.73
BK140	13.75	13.00	13.40	3	7/8	115/32	21/32	1/16	3/4, 1, 13/16, 17/16	85.24
BK160	15.75	15.00	15.40	3	7/8	115/32	21/32	1/16	1, 1 1/8, 13/16, 1 1/4, 17/16	99.75
BK190	18.75	18.00	18.40	3	7/8	115/32	21/32	1/16	1, 13/16, 1 1/4, 17/16	120.70

Standard Keyseats	
Bore-Range	Keyseat
1/2	None
5/8 - 7/8	3/16 X 3/32
15/16 - 1 1/4	1/4 X 1/8
1 7/16	3/8 X 3/16

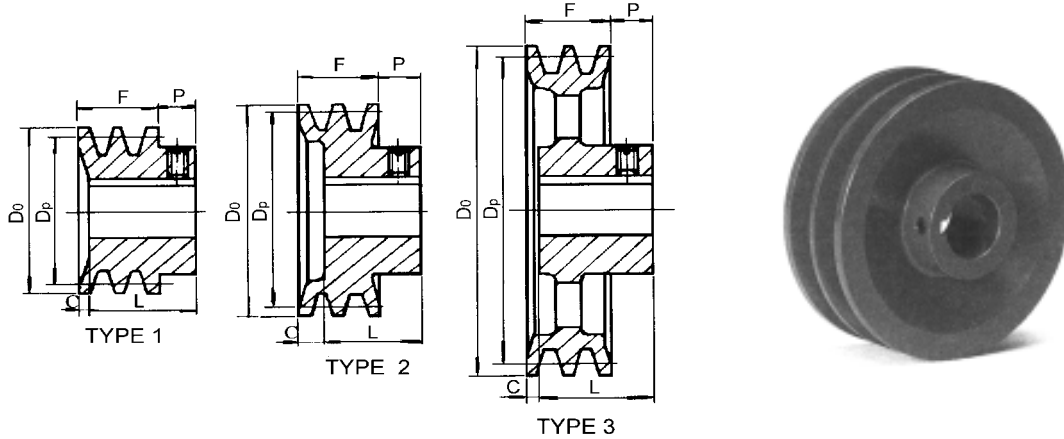
BK sheaves are precision machined from gray cast iron, statically balanced painted with baked enamel finish and individually packaged. Sheaves are furnished with standard keyways & set screws.



S H E A V E

Light Duty Bored-To-Size Sheaves

Two Groove Sheaves for "4L" "5L" & "B" Belts



Part No.	Diameters(in.)			Type	Dimensions(in.)				Stock Bores(in.)	List Price
	D ₀	D _p			F	L	P	C		
"4L"		"5L+B"								
2BK25	2.50	1.90	2.30	1	1 ³ / ₄	1 ³¹ / ₃₂	15 ³ / ₃₂	1 ¹ / ₄	1/2, 5/8, 3/4, 7/8	29.08
2BK27	2.70	2.10	2.50	1	1 ³ / ₄	1 ³¹ / ₃₂	15 ³ / ₃₂	1 ¹ / ₄	1/2, 5/8, 3/4, 7/8, 1, 1 ¹ / ₈	30.22
2BK28	2.95	2.20	2.60	1	1 ³ / ₄	1 ³¹ / ₃₂	15 ³ / ₃₂	1 ¹ / ₄	1/2, 5/8, 3/4, 7/8, 1, 1 ¹ / ₈	32.43
2BK30	3.15	2.40	2.80	1	1 ³ / ₄	1 ³¹ / ₃₂	15 ³ / ₃₂	1 ¹ / ₄	1/2, 5/8, 3/4, 7/8, 1, 1 ¹ / ₈	34.92
2BK32	3.35	2.60	3.00	1	1 ³ / ₄	1 ³¹ / ₃₂	15 ³ / ₃₂	1 ¹ / ₄	5/8, 3/4, 7/8, 1, 1 ¹ / ₈	36.00
2BK34	3.55	2.80	3.20	1	1 ³ / ₄	1 ³¹ / ₃₂	15 ³ / ₃₂	1 ¹ / ₄	5/8, 3/4, 7/8, 1, 1 ¹ / ₈	37.63
2BK36	3.75	3.00	3.40	1	1 ³ / ₄	1 ³¹ / ₃₂	15 ³ / ₃₂	1 ¹ / ₄	3/4, 7/8, 1, 1 ¹ / ₈ , 1 ³ / ₈	38.60
2BK40	3.95	3.20	3.60	2	1 ³ / ₄	1 ¹⁵ / ₃₂	15 ³ / ₃₂	3/4	5/8, 3/4, 7/8, 1, 1 ¹ / ₈	40.40
2BK45	4.25	3.50	3.90	2	1 ³ / ₄	1 ¹⁵ / ₃₂	15 ³ / ₃₂	3/4	1, 1 ¹ / ₈ , 1 ³ / ₈	43.37
2BK47	4.45	3.70	4.10	2	1 ³ / ₄	1 ¹⁵ / ₃₂	15 ³ / ₃₂	3/4	7/8, 1, 1 ¹ / ₈	43.91
2BK50	4.75	4.00	4.40	2	1 ³ / ₄	1 ¹⁵ / ₃₂	15 ³ / ₃₂	3/4	3/4, 1, 1 ¹ / ₈ , 1 ³ / ₈	46.38
2BK52	4.95	4.20	4.60	2	1 ³ / ₄	1 ¹⁵ / ₃₂	15 ³ / ₃₂	3/4	5/8, 7/8, 1, 1 ¹ / ₈ , 1 ³ / ₈	46.54
2BK55	5.25	4.50	4.90	2	1 ³ / ₄	1 ¹⁵ / ₃₂	15 ³ / ₃₂	3/4	1 ¹ / ₈ , 1 ³ / ₈	50.26
2BK57	5.45	4.70	5.10	2	1 ³ / ₄	1 ¹⁵ / ₃₂	15 ³ / ₃₂	3/4	1, 1 ¹ / ₈ , 1 ³ / ₈	51.71
2BK60	5.75	5.00	5.40	3	1 ³ / ₄	1 ¹⁵ / ₃₂	15 ³ / ₃₂	3/4	3/4, 7/8, 1, 1 ¹ / ₈ , 1 ³ / ₈	53.98
2BK62	5.95	5.20	5.60	3	1 ³ / ₄	1 ¹⁵ / ₃₂	15 ³ / ₃₂	3/4	1, 1 ¹ / ₈ , 1 ³ / ₈	55.07
2BK65	6.25	5.50	5.90	3	1 ³ / ₄	1 ¹⁵ / ₃₂	15 ³ / ₃₂	3/4	1, 1 ¹ / ₈ , 1 ³ / ₈	58.43
2BK67	6.45	5.70	6.10	3	1 ³ / ₄	1 ¹⁵ / ₃₂	15 ³ / ₃₂	3/4	1, 1 ¹ / ₈ , 1 ³ / ₈	61.79
2BK70	6.75	6.00	6.40	3	1 ³ / ₄	1 ¹⁹ / ₃₂	11 ³ / ₃₂	1/2	3/4, 1, 1 ¹ / ₈ , 1 ³ / ₁₆ , 1 ³ / ₈ , 1 ⁷ / ₁₆	68.50
2BK80	7.75	7.00	7.40	3	1 ³ / ₄	1 ¹⁹ / ₃₂	11 ³ / ₃₂	1/2	3/4, 1, 1 ¹ / ₈ , 1 ³ / ₁₆ , 1 ³ / ₈ , 1 ⁷ / ₁₆	72.76
2BK90	8.75	8.00	8.40	3	1 ³ / ₄	1 ¹⁹ / ₃₂	11 ³ / ₃₂	1/2	3/4, 1, 1 ¹ / ₈ , 1 ³ / ₁₆ , 1 ³ / ₈ , 1 ⁷ / ₁₆	75.21
2BK100	9.75	9.00	9.40	3	1 ³ / ₄	1 ¹⁹ / ₃₂	11 ³ / ₃₂	1/2	3/4, 1, 1 ³ / ₁₆ , 1 ³ / ₈ , 1 ⁷ / ₁₆	88.46
2BK110	10.75	10.00	10.40	3	1 ³ / ₄	1 ¹⁹ / ₃₂	11 ³ / ₃₂	1/2	1, 1 ³ / ₁₆ , 1 ⁷ / ₁₆	93.99
2BK120	11.75	11.00	11.40	3	1 ³ / ₄	1 ¹⁹ / ₃₂	11 ³ / ₃₂	1/2	1, 1 ³ / ₁₆ , 1 ⁷ / ₁₆	101.80
2BK130	12.75	12.00	12.40	3	1 ³ / ₄	1 ¹⁹ / ₃₂	11 ³ / ₃₂	1/2	1, 1 ³ / ₁₆ , 1 ⁷ / ₁₆	114.41
2BK140	13.75	13.00	13.40	3	1 ³ / ₄	1 ¹⁹ / ₃₂	11 ³ / ₃₂	1/2	1, 1 ³ / ₁₆ , 1 ⁷ / ₁₆	120.03
2BK160	15.75	15.00	15.40	3	1 ³ / ₄	1 ¹⁹ / ₃₂	11 ³ / ₃₂	1/2	1, 1 ³ / ₁₆ , 1 ⁷ / ₁₆	142.99
2BK190	18.75	18.00	18.40	3	1 ³ / ₄	1 ¹⁹ / ₃₂	11 ³ / ₃₂	1/2	1 ³ / ₁₆ , 1 ⁷ / ₁₆	183.36

Standard Keyseats	
Bore-Range	Keyseat
1/2	None
5/8 - 7/8	3/16 X 3/32
15/16 - 1 1/4	1/4 X 1/8
1 7/16	3/8 X 3/16

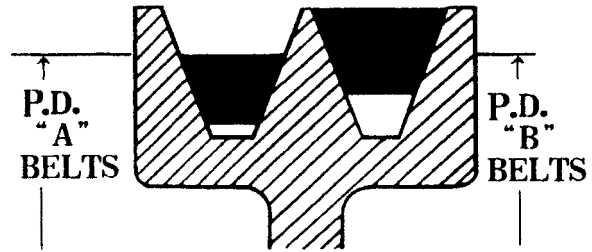
2BK sheaves are precision machined from gray cast iron, statically balanced painted with baked enamel finish and individually packaged. Sheaves are furnished with standard keyways & set screws.



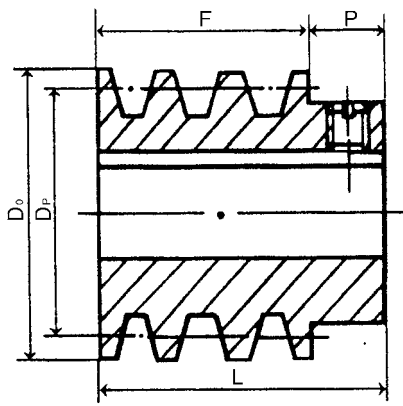
S H E A V E

Light Duty Bored-To-Size Sheaves

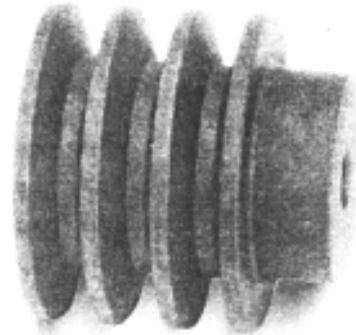
Three Groove Sheaves
for "4L" "5L"
"A" & "B" Belts



COMBINATION GROOVE



TYPE 1



Part No.	Diameters(in.)			Type	Dimensions(in.)			Stock Bores(in.)	List Price
	D ₀	D _p			F	L	P		
		"4L+A"	"5L+B"						
3BK25	2.50	1.90	2.30	1	2 1/2	3	1/2	5/8, 7/8	31.06
3BK27	2.70	2.10	2.50	1	2 1/2	3	1/2	5/8, 7/8, 1	34.54
3BK28	2.95	2.20	2.60	1	2 1/2	3	1/2	5/8, 7/8, 1, 1 1/8	38.03
3BK30	3.15	2.40	2.80	1	2 1/2	3	1/2	7/8, 1, 1 1/8	41.65
3BK32	3.35	2.60	3.00	1	2 1/2	3	1/2	7/8, 1, 1 1/8	44.43
3BK34	3.55	2.80	3.20	1	2 1/2	3	1/2	7/8, 1, 1 1/8	48.05
3BK36	3.75	3.00	3.40	1	2 1/2	3	1/2	7/8, 1, 1 1/8	51.54
3BK40	3.95	3.20	3.60	1	2 1/2	3	1/2	7/8, 1, 1 1/8	55.02

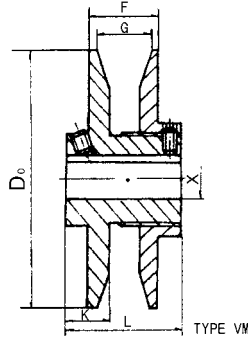
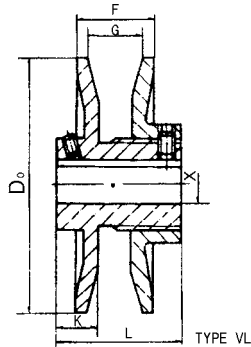
3BK sheaves are precision machined from gray cast iron, statically balanced painted with baked enamel finish and individually packaged. Sheaves are furnished with standard keyways & set screws.

Standard Keyseats	
Bore-Range	Keyseat
5/8 - 7/8	3/16 X 3/32
15/16 - 1 1/8	1/4 X 1/8

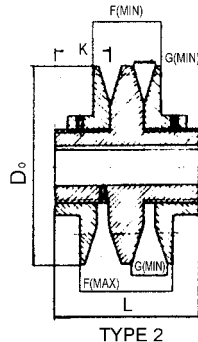
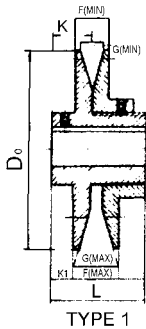


SHEAVE

Light Duty Variable Pitch



Part No.	Diameters(in.)							Stock Bores(in.)	List Price
	D ₀	F		G		L	K		
		Max.	Min.	Max.	Min.				
1AVL25	2.50	25/32	17/32	5/8	3/8	1 1/2	37/64	1/2, 5/8,	13.50
1AVL30	2.87	25/32	17/32	5/8	3/8	1 1/2	37/64	1/2, 5/8,	14.80
1AVL34	3.15	1	5/8	7/8	1/2	1 11/16	37/64	1/2, 5/8, 3/4	15.80
1AVL40	3.75	1	5/8	7/8	1/2	1 11/16	37/64	1/2, 5/8, 3/4, 7/8	16.80
1AVL44	4.15	1	5/8	7/8	1/2	1 11/16	37/64	1/2, 5/8, 3/4, 7/8	19.50
1AVL50	4.75	1 1/16	1 1/16	7/8	1/2	1 7/8	2 1/32	1/2, 5/8, 3/4, 7/8	31.10



Part No.	Single Groove Diameters(in.)								Stock Bores(in.)	List Price
	Type	D ₀	F		G		L	K		
			Max.	Min.	Max.	Min.				
1AVP25	1	2.32	.81	.56	.63	.38	1.59	1.62	1/2, 5/8, 3/4	20.50
1AVP30	1	2.87	.81	.56	.63	.38	1.66	.63	1/2, 5/8, 3/4	25.10
1AVP34	1	3.15	1.00	.69	.81	.50	1.88	.78	1/2, 5/8, 3/4, 7/8, 1, 1 1/8	27.90
1AVP40	1	3.75	1.06	.69	.88	.50	1.88	.66	1/2, 5/8, 3/4, 7/8, 1, 1 1/8	30.50
1AVP44	1	4.15	1.06	.69	.88	.50	1.88	.66	1/2, 5/8, 3/4, 7/8, 1, 1 1/8	34.70
1AVP50	1	4.75	1.06	.69	.88	.50	2.00	.78	1/2, 5/8, 3/4, 7/8, 1, 1 1/8	50.00

Part No.	Two Groove Diameters(in.)								Stock Bores(in.)	List Price
	Type	D ₀	F		G		L	K		
			Max.	Min.	Max.	Min.				
2AVP42	2	3.95	2.13	1.38	.88	.50	3.00	1.19	5/8, 3/4, 7/8, 1, 1 1/8	95.00
2AVP50	2	4.75	2.13	1.38	.88	.50	3.00	1.19	5/8, 3/4, 7/8, 1, 1 1/8	100.00
2AVP56	2	5.35	2.13	1.38	.88	.50	3.00	1.19	5/8, 3/4, 7/8, 1, 1 1/8	121.00
2AVP60	2	6.00	2.38	1.63	1.03	.66	3.25	1.25	3/4, 7/8, 1, 1 1/8	140.00

Standard Keyseats	
Bore-Range	Keyseat
1/2"	None
5/8-7/8	3/16 X 3/32

AVL and AVP sheaves are precision machined from gray cast iron, statically balanced

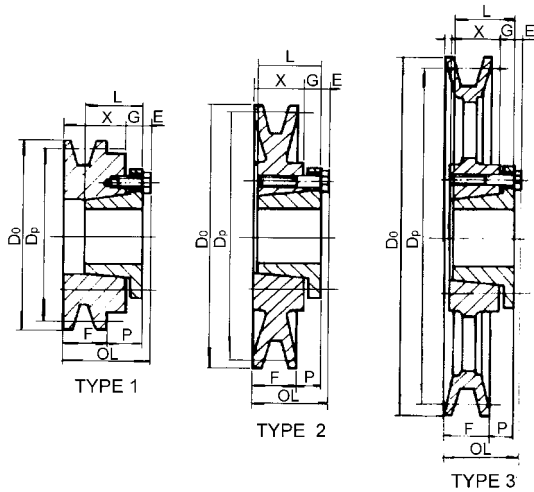
Painted with baked enamel finish and individually packaged.

Sheaves are furnished with standard keyways & set screws.



S H E A V E

Light Duty QD Sheaves



Single Groove
Sheaves for
"3L" "4L" &
"A" Belts



For All Sheaves:

F = 3/4
L = 1 1/4
G = 7/16
E = 3/16

Stock H Bushings

Stock Bores	Keyseat
3/8"	None
7/16	None
1/2	1/8" x 1/16"
9/16	1/8 x 1/16
5/8	3/16 x 3/32
11/16	3/16 x 3/32
3/4	3/16 x 3/32
13/16	3/16 x 3/32
7/8	3/16 x 3/32
15/16	1/4 x 1/8
1	1/4 x 1/8
1 1/16	1/4 x 1/8
1 1/8	1/4 x 1/8
1 3/16	1/4 x 1/8
1 1/4	1/4 x 1/8
1 5/16	5/16 x 1/16*
1 3/8	5/16 x 1/16*
1 7/16	3/8 x 1/16*
1 1/2	3/8 x 1/16*

*Indicates shallow keyseat-
keystock is supplied with bushing

Part No.	Diameters(in.)			Type	Dimensions(in.)			List Price
	D ₀	D _p			O.L.	P	X	
		"3L"	"4L+A"					
AK30H	3.05	2.46	2.80	1	1 ¹³ / ₁₆	7/8	1 ³ / ₁₆	15.70
AK32H	3.25	2.66	3.00	1	1 ¹³ / ₁₆	7/8	1 ³ / ₁₆	19.40
AK34H	3.45	2.86	3.20	2	1 1/2	9/16	7/8	19.60
AK39H	3.75	3.16	3.50	2	1 1/2	9/16	7/8	20.80
AK41H	3.95	3.36	3.70	2	1 1/2	9/16	7/8	21.10
AK44H	4.25	3.66	4.00	2	1 1/2	9/16	7/8	21.31
AK46H	4.45	3.86	4.20	2	1 1/2	9/16	7/8	21.60
AK49H	4.75	4.16	4.50	2	1 1/2	9/16	7/8	21.90
AK51H	4.95	4.36	4.70	2	1 1/2	9/16	7/8	22.20
AK54H	5.25	4.66	5.00	2	1 1/2	9/16	7/8	22.50
AK56H	5.45	4.86	5.20	2	1 1/2	9/16	7/8	22.80
AK59H	5.75	5.16	5.50	2	1 1/2	9/16	7/8	23.20
AK61H	5.95	5.36	5.70	3	1 1/2	9/16	7/8	23.70
AK64H	6.25	5.66	6.00	3	1 1/2	9/16	7/8	24.30
AK66H	6.45	5.86	6.20	3	1 1/2	9/16	7/8	25.10
AK69H	6.75	6.16	6.50	3	1 1/2	9/16	7/8	27.50
AK71H	6.95	6.36	6.70	3	1 1/2	9/16	7/8	29.00
AK74H	7.25	6.66	7.00	3	1 1/2	9/16	7/8	30.41
AK79H	7.75	7.16	7.50	3	1 1/2	9/16	7/8	33.11
AK84H	8.25	7.66	8.00	3	1 1/2	9/16	7/8	35.20
AK89H	8.75	8.16	8.50	3	1 1/2	9/16	7/8	37.90
AK94H	9.25	8.66	9.00	3	1 1/2	9/16	7/8	41.00
AK99H	9.75	9.16	9.50	3	1 1/2	9/16	7/8	43.50
AK104H	10.25	9.66	10.00	3	1 1/2	9/16	7/8	44.10
AK109H	10.75	10.16	10.50	3	1 1/2	9/16	7/8	46.40
AK114H	11.25	10.66	11.00	3	1 1/2	9/16	7/8	47.80
AK124H	12.25	11.66	12.00	3	1 1/2	9/16	7/8	52.30
AK134H	13.25	12.66	13.00	3	1 1/2	9/16	7/8	60.30
AK144H	14.25	13.66	14.00	3	1 1/2	9/16	7/8	67.70
AK154H	15.25	14.66	15.00	3	1 1/2	9/16	7/8	74.50
AK184H	18.25	17.66	18.00	3	1 1/2	9/16	7/8	88.00

AKH sheaves are precision machined from gray cast iron, statically balanced painted with baked enamel finish and individually packaged.

Millimeter Bores

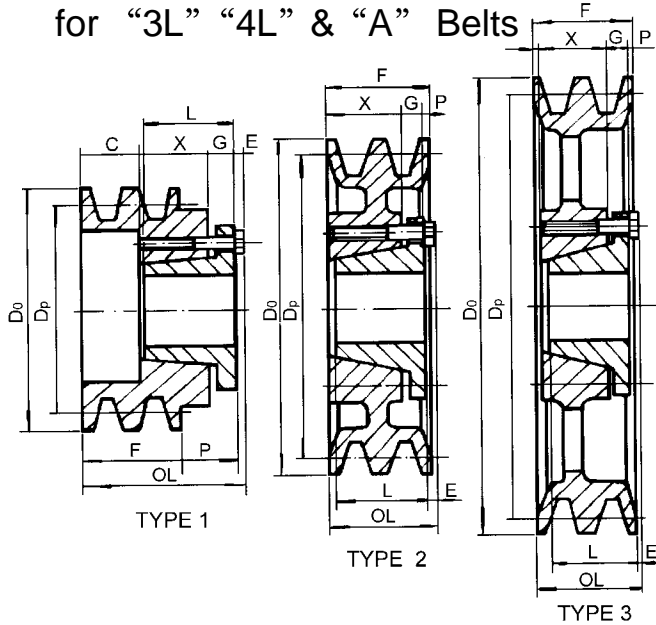
Stock Bores	Keyseat
10mm	None
11mm	None
14mm	5mm x 5mm
15mm	5mm x 5mm
16mm	5mm x 5mm
18mm	6mm x 6mm
19mm	6mm x 6mm
20mm	6mm x 6mm
22mm	6mm x 6mm
24mm	8mm x 7mm
25mm	8mm x 7mm
28mm	8mm x 7mm
30mm	8mm x 7mm
32mm	10mm x 7mm
35mm	10mm x 7mm
38mm	10mm x 7mm



SHEAVE

Light Duty QD Sheaves

Two Groove Sheaves
for "3L" "4L" & "A" Belts



For All Sheaves:

- F = 1³/₈
- L = 1¹/₄
- X = 7⁷/₈
- G = 7⁷/₁₆
- E = 3³/₁₆

Stock H Bushings

Stock Bores	Keyseat
3/8"	None
7/16	None
1/2	1/8" x 1/16"
9/16	1/8 x 1/16
5/8	3/16 x 3/32
11/16	3/16 x 3/32
3/4	3/16 x 3/32
13/16	3/16 x 3/32
7/8	3/16 x 3/32
15/16	1/4 x 1/8
1	1/4 x 1/8
1 1/16	1/4 x 1/8
1 1/8	1/4 x 1/8
1 3/16	1/4 x 1/8
1 1/4	1/4 x 1/8
1 5/16	5/16 x 1/16*
1 3/8	5/16 x 1/16*
1 7/16	3/8 x 1/16*
1 1/2	3/8 x 1/16*

*Indicates shallow keyseat-
keystock is supplied with bushing

Part No.	Diameters(in.)			Type	Dimensions(in.)			List Price
	D ₀	D _p			O.L.	P	C	
		"3L"	"4L+A"					
2AK30H	3.05	2.46	2.80	1	27/16	7/8	15/16	33.40
2AK32H	3.25	2.66	3.00	1	27/16	7/8	15/16	37.50
2AK34H	3.45	2.86	3.20	1	2	7/16	1/2	37.50
2AK39H	3.75	3.16	3.50	1	2	7/16	1/2	38.60
2AK41H	3.95	3.36	3.70	2	1 1/2	1/16	-	42.70
2AK44H	4.25	3.66	4.00	2	1 1/2	1/16	-	44.20
2AK46H	4.45	3.86	4.20	2	1 1/2	1/16	-	46.20
2AK49H	4.75	4.16	4.50	2	1 1/2	1/16	-	47.10
2AK51H	4.95	4.36	4.70	2	1 1/2	1/16	-	48.4
2AK54H	5.25	4.66	5.00	2	1 1/2	1/16	-	51.1
2AK56H	5.45	4.86	5.20	2	1 1/2	1/16	-	51.2
2AK59H	5.75	5.16	5.50	3	1 1/2	1/16	-	51.7
2AK61H	5.95	5.36	5.70	3	1 1/2	1/16	-	52.9
2AK64H	6.25	5.66	6.00	3	1 1/2	1/16	-	55.8
2AK74H	7.25	6.66	7.00	3	1 1/2	1/16	-	62.4
2AK84H	8.25	7.66	8.00	3	1 1/2	1/16	-	69.2
2AK94H	9.25	8.66	9.00	3	1 1/2	1/16	-	74.4
2AK104H	10.25	9.66	10.00	3	1 1/2	1/16	-	77.9
2AK114H	11.25	10.66	11.00	3	1 1/2	1/16	-	86.67
2AK124H	12.25	11.66	12.00	3	1 1/2	1/16	-	91.4
2AK134H	13.25	12.66	13.00	3	1 1/2	1/16	-	96.8
2AK144H	14.25	13.66	14.00	3	1 1/2	1/16	-	102.4
2AK154H	15.25	14.66	15.00	3	1 1/2	1/16	-	114.7
2AK184H	18.25	17.66	18.00	3	1 1/2	1/16	-	151.1

Millimeter Bores

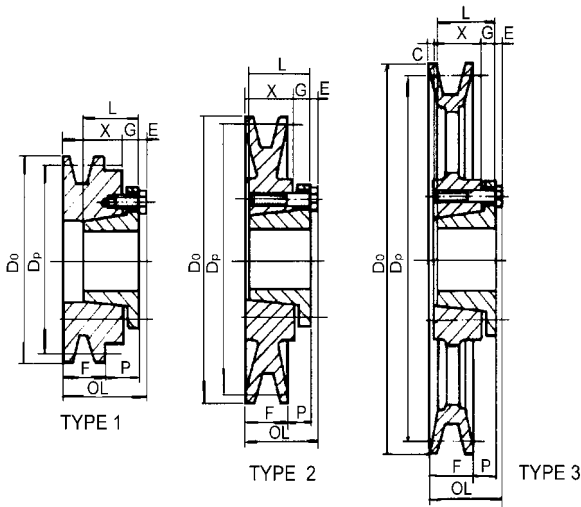
Stock Bores	Keyseat
10mm	None
11mm	None
14mm	5mm x 5mm
15mm	5mm x 5mm
16mm	5mm x 5mm
18mm	6mm x 6mm
19mm	6mm x 6mm
20mm	6mm x 6mm
22mm	6mm x 6mm
24mm	8mm x 7mm
25mm	8mm x 7mm
28mm	8mm x 7mm
30mm	8mm x 7mm
32mm	10mm x 7mm
35mm	10mm x 7mm
38mm	10mm x 7mm

2AKH sheaves are precision machined from gray cast iron, statically balanced painted with baked enamel finish and individually packaged.



S H E A V E

Light Duty QD Sheaves



Single Groove
Sheaves for
"4L" "5L" "A" &
"B" Belts



For All Sheaves:

F = 3/4
L = 1 1/4
G = 7/16
E = 3/16

Stock H Bushings

Stock Bores	Keyseat
3/8"	None
7/16	None
1/2	1/8" x 1/16"
9/16	1/8 x 1/16
5/8	3/16 x 3/32
11/16	3/16 x 3/32
3/4	3/16 x 3/32
13/16	3/16 x 3/32
7/8	3/16 x 3/32
15/16	1/4 x 1/8
1	1/4 x 1/8
1 1/16	1/4 x 1/8
1 1/8	1/4 x 1/8
1 3/16	1/4 x 1/8
1 1/4	1/4 x 1/8
1 5/16	5/16 x 1/16*
1 3/8	5/16 x 1/16*
1 7/16	3/8 x 1/16*
1 1/2	3/8 x 1/16*

*Indicates shallow keyseat-
keystock is supplied with bushing

Part No.	Diameters(in.)			Type	Dimensions(in.)				List Price
	D ₀	D _p			O.L.	P	C	X	
		"4L+A"	"5L+B"						
BK30H	3.15	2.40	2.80	1	1 ¹⁵ / ₁₆	7/8	-	1 ⁵ / ₁₆	21.72
BK32H	3.35	2.60	3.00	1	1 ¹⁵ / ₁₆	7/8	-	1 ⁵ / ₁₆	23.11
BK34H	3.55	2.80	3.20	1	1 ¹⁵ / ₁₆	7/8	-	1 ⁵ / ₁₆	23.11
BK36H	3.75	3.00	3.40	2	1 1/2	7/16	-	7/8	23.31
BK40H	3.95	3.20	3.60	2	1 1/2	7/16	-	7/8	23.31
BK45H	4.25	3.50	3.90	2	1 1/2	7/16	-	7/8	23.82
BK47H	4.45	3.70	4.10	2	1 1/2	7/16	-	7/8	24.41
BK50H	4.75	4.00	4.40	2	1 1/2	7/16	-	7/8	24.91
BK52H	4.95	4.20	4.60	2	1 1/2	7/16	-	7/8	25.41
BK55H	5.25	4.50	4.90	2	1 1/2	7/16	-	7/8	26.01
BK57H	5.45	4.70	5.10	2	1 1/2	7/16	-	7/8	26.51
BK60H	5.75	5.00	5.40	2	1 1/2	7/16	-	7/8	26.81
BK62H	5.95	5.20	5.60	2	1 1/2	7/16	-	7/8	28.22
BK65H	6.25	5.50	5.90	2	1 1/2	7/16	-	7/8	30.12
BK67H	6.45	5.70	6.10	2	1 1/2	7/16	-	7/8	31.01
BK70H	6.75	6.00	6.40	3	1 ⁹ / ₁₆	1/2	1/16	7/8	32.01
BK72H	6.95	6.20	6.60	3	1 ⁹ / ₁₆	1/2	1/16	7/8	33.52
BK75H	7.25	6.50	6.90	3	1 ⁹ / ₁₆	1/2	1/16	7/8	34.91
BK77H	7.45	6.70	7.10	3	1 ⁹ / ₁₆	1/2	1/16	7/8	35.41
BK80H	7.75	7.00	7.40	3	1 ⁹ / ₁₆	1/2	1/16	7/8	36.02
BK85H	8.25	7.50	7.90	3	1 ⁹ / ₁₆	1/2	1/16	7/8	39.92
BK90H	8.75	8.00	8.40	3	1 ⁹ / ₁₆	1/2	1/16	7/8	42.53
BK95H	9.25	8.50	8.90	3	1 ⁹ / ₁₆	1/2	1/16	7/8	45.72
BK100H	9.75	9.00	9.40	3	1 ⁹ / ₁₆	1/2	1/16	7/8	47.42
BK105H	10.25	9.50	9.90	3	1 ⁹ / ₁₆	1/2	1/16	7/8	48.42
BK110H	10.75	10.00	10.40	3	1 ⁹ / ₁₆	1/2	1/16	7/8	52.23
BK115H	11.25	10.50	10.90	3	1 ⁹ / ₁₆	1/2	1/16	7/8	53.80
BK120H	11.75	11.00	11.40	3	1 ⁹ / ₁₆	1/2	1/16	7/8	57.73
BK130H	12.75	12.00	12.40	3	1 ⁹ / ₁₆	1/2	1/16	7/8	63.23
BK140H	13.75	13.00	13.40	3	1 ⁹ / ₁₆	1/2	1/16	7/8	71.64
BK150H	14.75	14.00	14.40	3	1 ⁹ / ₁₆	1/2	1/16	7/8	77.83
BK160H	15.75	15.00	15.40	3	1 ⁹ / ₁₆	1/2	1/16	7/8	83.74
BK190H	18.75	18.00	18.40	3	1 ⁹ / ₁₆	1/2	1/16	7/8	114.56

Millimeter Bores

Stock Bores	Keyseat
10mm	None
11mm	None
14mm	5mm x 5mm
15mm	5mm x 5mm
16mm	5mm x 5mm
18mm	6mm x 6mm
19mm	6mm x 6mm
20mm	6mm x 6mm
22mm	6mm x 6mm
24mm	8mm x 7mm
25mm	8mm x 7mm
28mm	8mm x 7mm
30mm	8mm x 7mm
32mm	10mm x 7mm
35mm	10mm x 7mm
38mm	10mm x 7mm

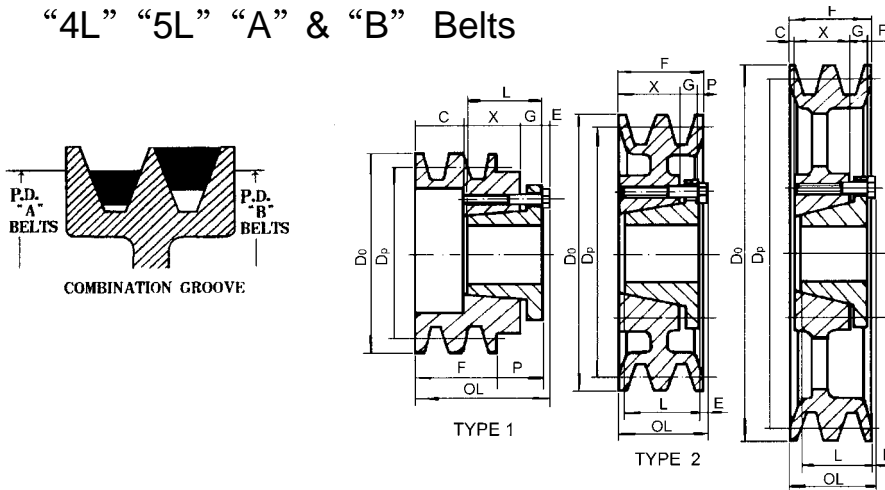
BKH sheaves are precision machined from gray cast iron, statically balanced painted with baked enamel finish and individually packaged.



SHEAVE

Light Duty QD Sheaves

Two Groove Sheaves for
"4L" "5L" "A" & "B" Belts



Stock H Bushings

Stock Bores	Keyseat
3/8"	None
7/16	None
1/2	1/8" x 1/16"
9/16	1/8 x 1/16
5/8	3/16 x 3/32
11/16	3/16 x 3/32
3/4	3/16 x 3/32
13/16	3/16 x 3/32
7/8	3/16 x 3/32
15/16	1/4 x 1/8
1	1/4 x 1/8
1 1/16	1/4 x 1/8
1 1/8	1/4 x 1/8
1 3/16	1/4 x 1/8
1 1/4	1/4 x 1/8
1 5/16	5/16 x 1/16*
1 3/8	5/16 x 1/16*
1 7/16	3/8 x 1/16*
1 1/2	3/8 x 1/16*

*Indicates shallow keyseat-keystock is supplied with bushing

Millimeter Bores

Stock Bores	Keyseat
10mm	None
11mm	None
14mm	5mm x 5mm
15mm	5mm x 5mm
16mm	5mm x 5mm
18mm	6mm x 6mm
19mm	6mm x 6mm
20mm	6mm x 6mm
22mm	6mm x 6mm
24mm	8mm x 7mm
25mm	8mm x 7mm
28mm	8mm x 7mm
30mm	8mm x 7mm
32mm	10mm x 7mm
35mm	10mm x 7mm
38mm	10mm x 7mm

For All Sheaves:

- F = 13/8
- L = 1 1/4
- X = 7/8
- G = 7/16
- E = 3/16

Part No.	Diameters(in.)		Type	Dimensions(in.)			List Price	
	D ₀	D _p		O.L.	P	C		
		"4L+A"						"5L+B"
2BK32H	3.35	2.60	3.00	1	2 ¹³ / ₁₆	7/8	1 ⁵ / ₁₆	39.63
2BK34H	3.55	2.80	3.20	1	2 ¹³ / ₁₆	7/8	1 ⁵ / ₁₆	39.83
2BK36H	3.75	3.00	3.40	1	2 ³ / ₈	7/16	7/8	40.63
2BK40H	3.95	3.20	3.60	1	2 ³ / ₈	7/16	7/8	41.04
2BK45H	4.25	3.50	3.90	1	2 ³ / ₈	7/16	7/8	42.13
2BK47H	4.45	3.70	4.10	2	1 ³ / ₄	7/16	-	46.44
2BK50H	4.75	4.00	4.40	2	1 ³ / ₄	7/16	-	47.24
2BK52H	4.95	4.20	4.60	2	1 ³ / ₄	7/16	-	48.43
2BK55H	5.25	4.50	4.90	2	1 ³ / ₄	7/16	-	52.44
2BK57H	5.45	4.70	5.10	2	1 ³ / ₄	7/16	-	53.34
2BK60H	5.75	5.00	5.40	2	1 ³ / ₄	7/16	-	54.55
2BK62H	5.95	5.20	5.60	2	1 ³ / ₄	7/16	-	55.24
2BK65H	6.25	5.50	5.90	3	1 ³ / ₄	7/16	1/4	59.60
2BK67H	6.45	5.70	6.10	3	1 ³ / ₄	7/16	1/4	60.60
2BK70H	6.75	6.00	6.40	3	1 ³ / ₄	7/16	1/4	62.24
2BK80H	7.75	7.00	7.40	3	1 ³ / ₄	7/16	1/4	72.36
2BK90H	8.75	8.00	8.40	3	1 ³ / ₄	7/16	1/4	73.65
2BK100H	9.75	9.00	9.40	3	1 ³ / ₄	7/16	1/4	85.50
2BK110H	10.75	10.00	10.40	3	1 ³ / ₄	7/16	1/16	92.80
2BK120H	11.75	11.00	11.40	3	1 ³ / ₄	7/16	1/16	105.80
2BK130H	12.75	12.00	12.40	3	1 ³ / ₄	7/16	1/16	113.60
2BK140H	13.75	13.00	13.40	3	1 ³ / ₄	7/16	1/16	128.60
2BK160H	15.75	15.00	15.40	3	1 ³ / ₄	7/16	1/16	134.90
2BK190H	18.75	18.00	18.40	3	1 ³ / ₄	7/16	1/16	151.40

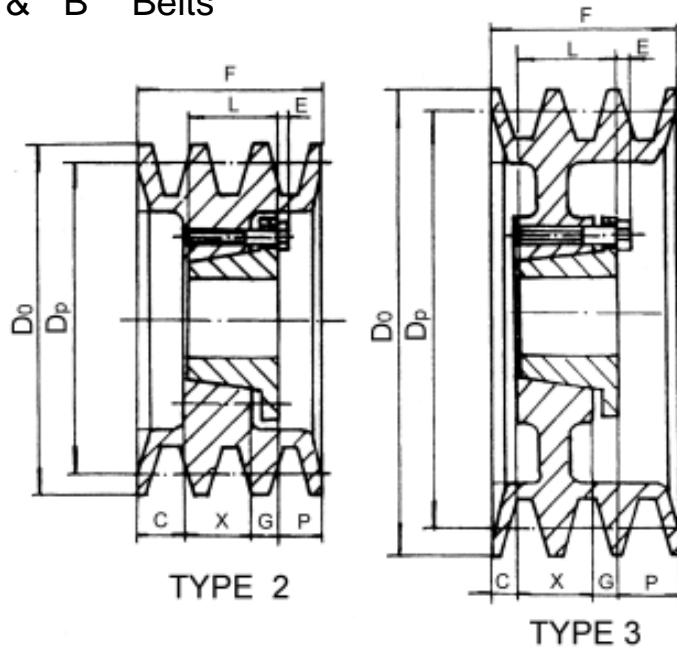
2BKH sheaves are precision machined from gray cast iron, statically balanced painted with baked enamel finish and individually packaged.



S H E A V E

Light Duty QD Sheaves

Three Groove Sheaves for
 “4L” “5L” “A” & “B” Belts



Part No.	Diameters(in.)			Type	Dimensions(in.)							List Price
	D ₀	D _p			F	L	P	C	X	G	E	
		“4L+A”	“5L+B”									
3BK45H	4.25	3.50	3.90	2	2 1/2	1 1/4	1/2	11/16	7/8	7/16	3/16	52.85
3BK47H	4.45	3.70	4.10	2	2 1/2	1 1/4	1/2	11/16	7/8	7/16	3/16	57.29
3BK50H	4.75	4.00	4.40	2	2 1/2	1 1/4	1/2	11/16	7/8	7/16	3/16	63.95
3BK52H	4.95	4.20	4.60	2	2 1/2	1 1/4	1/2	11/16	7/8	7/16	3/16	67.40
3BK55H	5.25	4.50	4.90	2	2 1/2	1 1/4	1/2	11/16	7/8	7/16	3/16	73.55
3BK57H	5.45	4.70	5.10	2	2 1/2	1 1/4	1/2	11/16	7/8	7/16	3/16	79.27
3BK60H	5.75	5.00	5.40	3	2 1/2	1 1/4	1/2	11/16	7/8	7/16	3/16	83.66
3BK62H	5.95	5.20	5.60	3	2 1/2	1 1/4	1/2	11/16	7/8	7/16	3/16	84.77
3BK65H	6.25	5.50	5.90	3	2 1/2	1 1/4	29/32	9/32	7/8	7/16	3/16	86.25
3BK67H	6.45	5.70	6.10	3	2 1/2	1 1/4	29/32	9/32	7/8	7/16	3/16	88.10
3BK70H	6.75	6.00	6.40	3	2 1/2	1 1/4	29/32	9/32	7/8	7/16	3/16	90.44
3BK80H	7.75	7.00	7.40	3	2 1/2	1 1/4	27/32	11/32	7/8	7/16	3/16	129.74
3BK90H	8.75	8.00	8.40	3	2 1/2	1 1/4	27/32	11/32	7/8	7/16	3/16	141.82
3BK100H	9.75	9.00	9.40	3	2 1/2	1 1/4	27/32	11/32	7/8	7/16	3/16	158.08
3BK110H	10.75	10.00	10.40	3	2 1/2	1 1/4	27/32	11/32	7/8	7/16	3/16	174.35
3BK120H	11.75	11.00	11.40	3	2 1/2	1 1/4	27/32	11/32	7/8	7/16	3/16	195.55
3BK130H	12.75	12.00	12.40	3	2 1/2	1 1/4	25/32	13/32	7/8	7/16	3/16	216.49
3BK140H	13.75	13.00	13.40	3	2 1/2	1 1/4	25/32	13/32	7/8	7/16	3/16	234.60
3BK160H	15.75	15.00	15.40	3	2 1/2	1 1/4	25/32	13/32	7/8	7/16	3/16	276.00
3BK190H	18.75	18.00	18.40	3	2 1/2	1 1/4	25/32	13/32	7/8	7/16	3/16	328.12

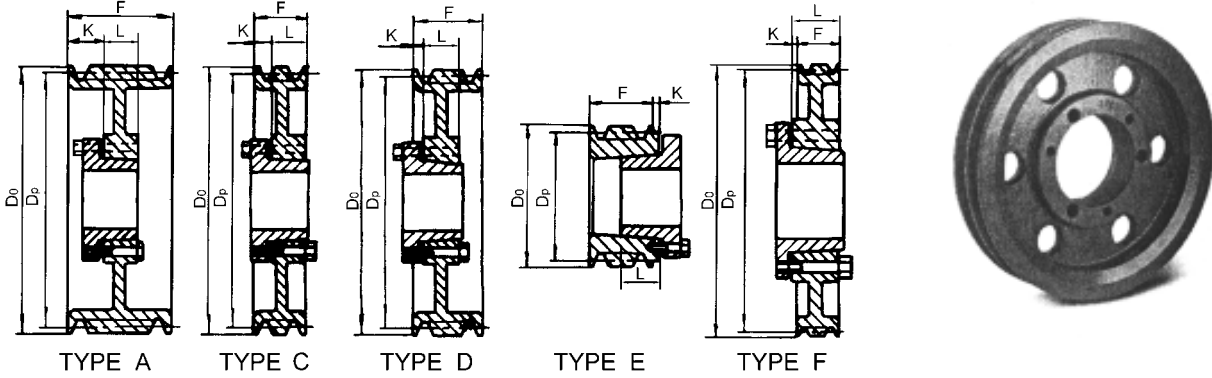
3BKH sheaves are precision machined from gray cast iron, statically balanced painted with baked enamel finish and individually packaged.



S H E A V E

Heavy Duty QD Sheaves

One and Two Groove QD A-B Sheaves



D ₀	D _p		1 Groove F=7/8 thru 1B64 SDS/F=1					List Price	2 Groove F=1					List Price
	A	B	Part No.	Bush	Type*	K	L		Part No.	Bush	Type*	K	L	
3.75"	3.00"	3.40"	1B34SH	SH	D-1	0"	1 ⁵ / ₁₆	25.22	2B34SH	SH	E-1	0"	1 ⁵ / ₁₆ "	36.86
3.95	3.20	3.60	1B36SH	SH	D-1	0	1 ⁵ / ₁₆	26.19	2B36SH	SH	D-1	3/16	1 ⁵ / ₁₆	38.80
4.15	3.40	3.80	1B38SH	SH	D-1	0	1 ⁵ / ₁₆	27.16	2B38SH	SH	D-1	3/16	1 ⁵ / ₁₆	40.74
4.35	3.60	4.00	1B40SH	SH	C-1	1/16	1 ⁵ / ₁₆	28.13	2B40SH	SH	A-1	11/16	1 ⁵ / ₁₆	42.68
4.55	3.80	4.20	1B42SH	SH	C-1	1/16	1 ⁵ / ₁₆	29.10	2B42SH	SH	A-1	11/16	1 ⁵ / ₁₆	44.62
4.75	4.00	4.40	1B44SH	SH	C-1	1/16	1 ⁵ / ₁₆	30.07	2B44SH	SH	A-1	11/16	1 ⁵ / ₁₆	46.56
4.95	4.20	4.60	1B46SDS	SDS	C-1	1/8	1 ⁵ / ₁₆	31.04	2B46SDS	SDS	A-1	11/16	1 ⁵ / ₁₆	48.50
5.15	4.40	4.80	1B48SDS	SDS	C-1	1/8	1 ⁵ / ₁₆	32.01	2B48SDS	SDS	A-1	11/16	1 ⁵ / ₁₆	50.44
5.35	4.60	5.00	1B50SDS	SDS	C-1	1/8	1 ⁵ / ₁₆	32.98	2B50SDS	SDS	A-1	11/16	1 ⁵ / ₁₆	52.38
5.55	4.80	5.20	1B52SDS	SDS	C-1	1/8	1 ⁵ / ₁₆	33.95	2B52SDS	SDS	A-1	11/16	1 ⁵ / ₁₆	54.32
5.75	5.00	5.40	1B54SDS	SDS	C-1	1/8	1 ⁵ / ₁₆	34.92	2B54SDS	SDS	A-1	11/16	1 ⁵ / ₁₆	56.26
5.95	5.20	5.60	1B56SDS	SDS	C-1	1/8	1 ⁵ / ₁₆	35.89	2B56SDS	SDS	A-1	11/16	1 ⁵ / ₁₆	58.20
6.15	5.40	5.80	1B58SDS	SDS	C-1	1/8	1 ⁵ / ₁₆	36.86	2B58SDS	SDS	A-1	11/16	1 ⁵ / ₁₆	60.14
6.35	5.60	6.00	1B60SDS	SDS	C-2	1/8	1 ⁵ / ₁₆	38.80	2B60SDS	SDS	A-2	11/16	1 ⁵ / ₁₆	62.08
6.55	5.80	6.20	1B62SDS	SDS	C-2	1/8	1 ⁵ / ₁₆	40.74	2B62SDS	SDS	A-2	11/16	1 ⁵ / ₁₆	64.02
6.75	6.00	6.40	1B64SDS	SDS	C-2	1/8	1 ⁵ / ₁₆	42.68	2B64SDS	SDS	A-2	11/16	1 ⁵ / ₁₆	65.96
6.95	6.20	6.60	1B66SDS	SDS	C-2	1/4	1 ⁵ / ₁₆	46.56	2B66SDS	SDS	A-2	11/16	1 ⁵ / ₁₆	66.93
7.15	6.40	6.80	1B68SDS	SDS	C-2	1/4	1 ⁵ / ₁₆	48.50	2B68SDS	SDS	A-2	11/16	1 ⁵ / ₁₆	67.90
7.35	6.60	7.00	1B70SDS	SDS	C-2	1/4	1 ⁵ / ₁₆	50.44	2B70SK	SK	D-2	7/16	1 ¹⁵ / ₁₆	69.84
7.75	7.00	7.40	1B74SDS	SDS	C-2	1/4	1 ⁵ / ₁₆	54.32	2B74SK	SK	D-2	7/16	1 ¹⁵ / ₁₆	70.81
8.35	7.60	8.00	1B80SDS	SDS	C-2	1/4	1 ⁵ / ₁₆	56.26	2B80SK	SK	D-2	7/16	1 ¹⁵ / ₁₆	71.78
8.95	8.20	8.60	1B86SDS	SDS	C-3	1/4	1 ⁵ / ₁₆	60.14	2B86SK	SK	D-3	7/16	1 ¹⁵ / ₁₆	73.72
9.75	9.00	9.40	1B94SDS	SDS	C-3	1/4	1 ⁵ / ₁₆	62.08	2B94SK	SK	D-3	7/16	1 ¹⁵ / ₁₆	75.66
11.35	10.60	11.00	1B110SDS	SDS	C-3	1/4	1 ⁵ / ₁₆	73.72	2B110SK	SK	D-3	7/16	1 ¹⁵ / ₁₆	89.24
12.75	12.00	12.40	1B124SDS	SDS	C-3	1/4	1 ⁵ / ₁₆	87.30	2B124SK	SK	D-3	7/16	1 ¹⁵ / ₁₆	97.00
13.95	13.20	13.60	1B136SDS	SDS	C-3	1/4	1 ⁵ / ₁₆	93.12	2B136SK	SK	D-3	7/16	1 ¹⁵ / ₁₆	116.40
15.75	15.00	15.40	1B154SK	SK	F-3	1/4	1 ¹⁵ / ₁₆	112.52	2B154SK	SK	D-3	7/16	1 ¹⁵ / ₁₆	162.96
16.35	15.60	16.00	1B160SK	SK	F-3	1/4	1 ¹⁵ / ₁₆	131.92	2B160SK	SK	D-3	7/16	1 ¹⁵ / ₁₆	172.66
18.75	18.00	18.40	1B184SK	SK	F-3	1/4	1 ¹⁵ / ₁₆	151.32	2B184SK	SK	D-3	7/16	1 ¹⁵ / ₁₆	217.28
20.35	19.60	20.00	1B200SK	SK	F-3	1/4	1 ¹⁵ / ₁₆	223.10	2B200SF	SF	D-3	3/8	2 ¹ / ₁₆	252.20
25.35	24.60	25.00							2B250SF	SF	D-3	3/8	2 ¹ / ₁₆	384.12
30.35	29.60	30.00							2B300SF	SF	D-3	3/8	2 ¹ / ₁₆	426.80
38.35	37.60	38.00							2B380SF	SF	D-3	3/8	2 ¹ / ₁₆	814.80

*Suffix on Type indicates construction:
 1=Solid 2=Web 3=Arm/Spoke

sheaves are precision machined from gray cast iron, statically balanced painted with baked enamel finish and individually packaged or lagged.

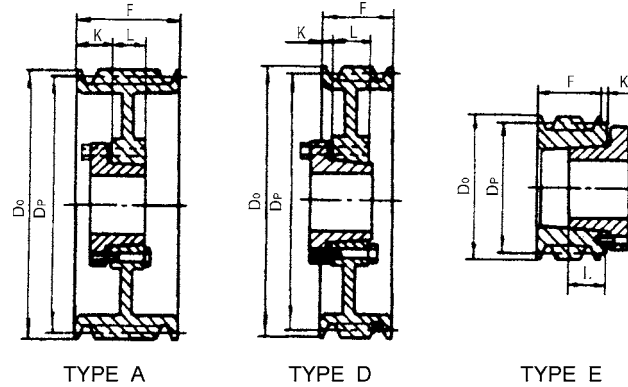
Order bushings separately from page B · 1.



S H E A V E

Heavy Duty QD Sheaves

Three and Fore Groove QD A-B Sheaves



D ₀	D _P		3 Groove F=2 1/2					List Price	4 Groove F=3 1/4					List Price
	A	B	Part No.	Bush	Type*	K	L		Part No.	Bush	Type*	K	L	
3.75"	3.00"	3.40"	3B34SH	SH	E-1	0"	1 5/16"	42.68	4B34SD	SD	E-1	5/16"	1 13/16"	62.08
3.95	3.20	3.60	3B36SH	SH	D-1	3/16	1 5/16	44.62	4B36SD	SD	E-1	5/16	1 13/16	64.02
4.15	3.40	3.80	3B38SH	SH	D-1	3/16	1 5/16	46.56	4B38SD	SD	E-1	5/16	1 13/16	65.96
4.35	3.60	4.00	3B40SH	SH	A-1	1 1/16	1 5/16	48.50	4B40SD	SD	E-1	0	1 13/16	67.90
4.55	3.80	4.20	3B42SH	SH	A-1	1 1/16	1 5/16	50.44	4B42SD	SD	E-1	0	1 13/16	69.84
4.75	4.00	4.40	3B44SH	SH	A-1	1 1/16	1 5/16	52.38	4B44SD	SD	E-1	0	1 13/16	71.78
4.95	4.20	4.60	3B46SD	SD	A-1	1 1/16	1 13/16	54.32	4B46SD	SD	A-1	1 5/16	1 13/16	73.72
5.15	4.40	4.80	3B48SD	SD	A-1	1 1/16	1 13/16	56.26	4B48SD	SD	A-1	1 5/16	1 13/16	75.66
5.35	4.60	5.00	3B50SD	SD	A-1	1 1/16	1 13/16	58.20	4B50SD	SD	A-1	1 5/16	1 13/16	77.60
5.55	4.80	5.20	3B52SD	SD	A-1	1 1/16	1 13/16	60.14	4B52SD	SD	A-1	1 5/16	1 13/16	79.54
5.75	5.00	5.40	3B54SD	SD	A-1	1 1/16	1 13/16	62.08	4B54SD	SD	A-1	1 5/16	1 13/16	81.48
5.95	5.20	5.60	3B56SD	SD	A-1	1 1/16	1 13/16	64.02	4B56SD	SD	A-1	1 5/16	1 13/16	83.42
6.15	5.40	5.80	3B58SD	SD	A-1	1 1/16	1 13/16	65.96	4B58SD	SD	A-1	1 5/16	1 13/16	85.36
6.35	5.60	6.00	3B60SD	SD	A-1	1 1/16	1 13/16	67.90	4B60SD	SD	A-1	1 5/16	1 13/16	87.30
6.55	5.80	6.20	3B62SD	SD	A-2	1 1/16	1 13/16	69.84	4B62SD	SD	A-2	1 5/16	1 13/16	89.24
6.75	6.00	6.40	3B64SD	SD	A-2	1 1/16	1 13/16	73.72	4B64SD	SD	A-2	1 5/16	1 13/16	93.12
6.95	6.20	6.60	3B66SD	SD	A-2	1 1/16	1 15/16	75.66	4B66SD	SD	A-2	1 5/16	1 13/16	97.00
7.15	6.40	6.80	3B68SD	SD	A-2	1 1/16	1 15/16	77.60	4B68SD	SD	A-2	1 5/16	1 13/16	100.88
7.35	6.60	7.00	3B70SK	SK	A-2	1 1/16	1 15/16	79.54	4B70SK	SK	A-2	1	1 15/16	104.76
7.75	7.00	7.40	3B74SK	SK	A-2	1 1/16	1 15/16	81.48	4B74SK	SK	A-2	1	1 15/16	108.64
8.35	7.60	8.00	3B80SK	SK	A-2	1 1/16	1 15/16	85.36	4B80SK	SK	A-2	1	1 15/16	112.52
8.95	8.20	8.60	3B86SK	SK	A-3	1 1/16	1 15/16	93.12	4B86SK	SK	A-2	1	1 15/16	120.28
9.75	9.00	9.40	3B94SK	SK	A-3	1 1/16	1 15/16	100.88	4B94SK	SK	A-3	1	1 15/16	133.86
11.35	10.60	11.00	3B110SK	SK	A-3	1 1/16	1 15/16	120.28	4B110SK	SK	A-3	1	1 15/16	147.44
12.75	12.00	12.40	3B124SK	SK	A-3	1 1/16	1 15/16	139.68	4B124SK	SK	A-3	1	1 15/16	164.90
13.95	13.20	13.60	3B136SK	SK	A-3	1 1/16	1 15/16	151.32	4B136SK	SK	A-3	1	1 15/16	197.88
15.75	15.00	15.40	3B154SK	SK	A-3	1 1/16	1 15/16	194.00	4B154SF	SF	A-3	1	2 1/16	217.28
16.35	15.60	16.00	3B160SK	SK	A-3	1 1/16	1 15/16	205.64	4B160SF	SF	A-3	1	2 1/16	236.68
18.75	18.00	18.40	3B184SK	SK	A-3	1 1/16	1 15/16	236.68	4B184SF	SF	A-3	1	2 1/16	252.20
20.35	19.60	20.00	3B200SF	SF	D-3	5/8	2 1/16	314.28	4B200SF	SF	A-3	1	2 1/16	353.08
25.35	24.60	25.00	3B250SF	SF	D-3	5/8	2 1/16	426.80	4B250E	E	A-3	1	2 3/4	465.60
30.35	29.60	30.00	3B300SF	SF	D-3	5/8	2 1/16	485.00	4B300E	E	A-3	1	2 3/4	543.20
38.35	37.60	38.00	3B380E	E	D-3	5/8	2 3/4	853.60	4B380E	E	A-3	1	2 3/4	950.60

*Suffix on Type indicates construction:
 1=Solid 2=Web 3=Arm/Spoke

sheaves are precision machined from gray cast iron, statically balanced painted with baked enamel finish and individually packaged or lagged.

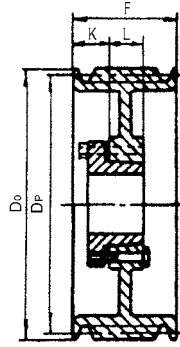
Order bushings separately from page B · 1.



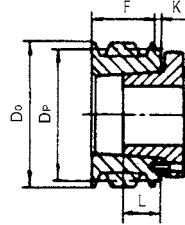
SHEAVE

Heavy Duty QD Sheaves

Five and Six Groove QD A-B Sheaves



TYPE A



TYPE E

D ₀	D _p		5 Groove F=4					List Price	6 Groove F=43/4					List Price
	A	B	Part No.	Bush	Type*	K	L		Part No.	Bush	Type*	K	L	
3.75"	3.00"	3.40"	5B34SD	SD	E-1	5/16"	1 13/16"	71.78	6B34SD	SD	E-1	5/16"	1 13/16"	95.06
3.95	3.20	3.60	5B36SD	SD	E-1	5/16	1 13/16	73.72	6B36SD	SD	E-1	5/16	1 13/16	97.00
4.15	3.40	3.80	5B38SD	SD	E-1	5/16	1 13/16	75.66	6B38SD	SD	E-1	5/16	1 13/16	98.94
4.35	3.60	4.00	5B40SD	SD	E-1	0	1 13/16	77.60	6B40SD	SD	E-1	0	1 13/16	100.88
4.55	3.80	4.20	5B42SD	SD	E-1	0	1 13/16	79.54	6B42SD	SD	E-1	0	1 13/16	102.82
4.75	4.00	4.40	5B44SD	SD	E-1	0	1 13/16	81.48	6B44SD	SD	E-1	0	1 13/16	106.70
4.95	4.20	4.60	5B46SD	SD	A-1	1 5/16	1 13/16	83.42	6B46SD	SD	A-1	1 3/16	1 13/16	108.64
5.15	4.40	4.80	5B48SD	SD	A-1	1 5/16	1 13/16	87.30	6B48SD	SD	A-1	1 3/16	1 13/16	110.58
5.35	4.60	5.00	5B50SD	SD	A-1	1 5/16	1 13/16	89.24	6B50SD	SD	A-1	1 3/16	1 13/16	112.52
5.55	4.80	5.20	5B52SD	SD	A-1	1 5/16	1 13/16	91.18	6B52SD	SD	A-1	1 3/16	1 13/16	114.46
5.75	5.00	5.40	5B54SK	SK	A-1	1 5/16	1 15/16	93.12	6B54SK	SK	A-1	1 5/16	1 15/16	116.40
5.95	5.20	5.60	5B56SK	SK	A-1	1 5/16	1 15/16	95.06	6B56SK	SK	A-1	1 5/16	1 15/16	118.34
6.15	5.40	5.80	5B58SK	SK	A-1	1 5/16	1 15/16	97.00	6B58SK	SK	A-1	1 5/16	1 15/16	120.28
6.35	5.60	6.00	5B60SK	SK	A-1	1 5/16	1 15/16	102.82	6B60SK	SK	A-1	1 5/16	1 15/16	122.22
6.55	5.80	6.20	5B62SK	SK	A-1	1 5/16	1 15/16	108.64	6B62SK	SK	A-1	1 5/16	1 15/16	126.10
6.75	6.00	6.40	5B64SK	SK	A-1	1 5/16	1 15/16	112.52	6B64SK	SK	A-1	1 5/16	1 15/16	129.98
6.95	6.20	6.60	5B66SK	SK	A-1	1 5/16	1 15/16	116.40	6B66SK	SK	A-1	1 5/16	1 15/16	134.83
7.15	6.40	6.80	5B68SK	SK	A-1	1 5/16	1 15/16	120.28	6B68SK	SK	A-1	1 5/16	1 15/16	137.74
7.35	6.60	7.00	5B70SF	SF	A-1	1 5/16	2 1/16	128.04	6B70SF	SF	A-1	1 11/16	2 1/16	145.50
7.75	7.00	7.40	5B74SF	SF	A-1	1 5/16	2 1/16	145.50	6B74SF	SF	A-2	1 11/16	2 1/16	197.88
8.35	7.60	8.00	5B80SF	SF	A-2	1 5/16	2 1/16	149.38	6B80SF	SF	A-2	1 11/16	2 1/16	201.76
8.95	8.20	8.60	5B86SF	SF	A-2	1 5/16	2 1/16	159.08	6B86SF	SF	A-2	1 11/16	2 1/16	213.40
9.75	9.00	9.40	5B94SF	SF	A-2	1 5/16	2 1/16	166.84	6B94SF	SF	A-2	1 11/16	2 1/16	223.10
11.35	10.60	11.00	5B110SF	SF	A-3	1 5/16	2 1/16	188.18	6B110SF	SF	A-3	1 11/16	2 1/16	240.56
12.75	12.00	12.40	5B124SF	SF	A-3	1 5/16	2 1/16	201.86	6B124SF	SF	A-3	1 11/16	2 1/16	267.72
13.95	13.20	13.60	5B136SF	SF	A-3	1 5/16	2 1/16	232.80	6B136SF	SF	A-3	1 11/16	2 1/16	271.60
15.75	15.00	15.40	5B154SF	SF	A-3	1 5/16	2 1/16	259.96	6B154SF	SF	A-3	1 11/16	2 1/16	291.00
16.35	15.60	16.00	5B160SF	SF	A-3	1 5/16	2 1/16	285.18	6B160SF	SF	A-3	1 11/16	2 1/16	318.16
18.75	18.00	18.40	5B184SF	SF	A-3	1 5/16	2 1/16	306.52	6B184SF	SF	A-3	1 11/16	2 1/16	337.56
20.35	19.60	20.00	5B200E	E	A-3	1 1/4	2 3/4	378.30	6B200E	E	A-3	1 3/8	2 3/4	450.08
25.35	24.60	25.00	5B250E	E	A-3	1 1/4	2 3/4	485.00	6B250E	E	A-3	1 3/8	2 3/4	562.60
30.35	29.60	30.00	5B300E	E	A-3	1 1/4	2 3/4	675.12	6B300E	E	A-3	1 3/8	2 3/4	756.60
38.35	37.60	38.00	5B380E	E	A-3	1 1/4	2 3/4	1047.60	6B380E	E	A-3	1 3/8	2 3/4	1086.40

*Suffix on Type indicates construction:

1=Solid 2=Web 3=Arm/Spoke

sheaves are precision machined from gray cast iron, statically balanced painted with baked enamel finish and individually packaged or lagged.

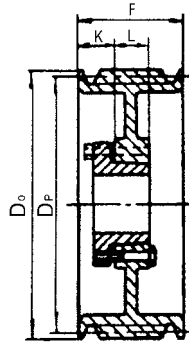
Order bushings separately from page B · 1.



S H E A V E

Heavy Duty QD Sheaves

Eight and Ten Groove QD A-B Sheaves



TYPE A



D ₀	D _p		8 Groove F=61/4					List Price	10 Groove F=73/4					List Price
	A	B	Part No.	Bush	Type*	K	L		Part No.	Bush	Type*	K	L	
5.75"	5.00"	5.40"	8B54SK	SK	A-1	1 ¹³ / ₁₆ "	1 ¹⁵ / ₁₆ "	185.40	10B54SK	SK	A-1	2 ⁹ / ₁₆ "	1 ¹⁵ / ₁₆ "	288.40
5.95	5.20	5.60	8B56SK	SK	A-1	1 ¹³ / ₁₆	1 ¹⁵ / ₁₆	189.52	10B56SK	SK	A-1	2 ⁹ / ₁₆	1 ¹⁵ / ₁₆	296.64
6.15	5.40	5.80	8B58SK	SK	A-1	1 ¹³ / ₁₆	1 ¹⁵ / ₁₆	193.64	10B58SK	SK	A-1	2 ⁹ / ₁₆	1 ¹⁵ / ₁₆	304.88
6.35	5.60	6.00	8B60SK	SK	A-1	1 ¹³ / ₁₆	1 ¹⁵ / ₁₆	197.76	10B60SK	SK	A-1	2 ⁹ / ₁₆	1 ¹⁵ / ₁₆	313.12
6.55	5.80	6.20	8B62SF	SF	A-1	1 ¹³ / ₁₆	2 ¹ / ₁₆	201.88	10B62SF	SF	A-1	2 ⁹ / ₁₆	2 ¹ / ₁₆	321.36
6.75	6.00	6.40	8B64SF	SF	A-1	1 ¹³ / ₁₆	2 ¹ / ₁₆	206.00	10B64SF	SF	A-1	2 ⁹ / ₁₆	2 ¹ / ₁₆	329.60
6.95	6.20	6.60	8B66SF	SF	A-1	1 ¹³ / ₁₆	2 ¹ / ₁₆	214.24	10B66SF	SF	A-1	2 ⁹ / ₁₆	2 ¹ / ₁₆	341.96
7.15	6.40	6.80	8B68SF	SF	A-1	1 ¹³ / ₁₆	2 ¹ / ₁₆	218.36	10B68SF	SF	A-1	2 ⁹ / ₁₆	2 ¹ / ₁₆	354.32
7.35	6.60	7.00	8B70SF	SF	A-1	1 ¹³ / ₁₆	2 ¹ / ₁₆	267.80	10B70SF	SF	A-1	2 ⁹ / ₁₆	2 ¹ / ₁₆	362.56
7.75	7.00	7.40	8B74SF	SF	A-1	1 ¹³ / ₁₆	2 ¹ / ₁₆	292.52	10B74SF	SF	A-1	2 ⁹ / ₁₆	2 ¹ / ₁₆	370.80
8.95	8.20	8.60	8B86E	E	A-1	2 ³ / ₈	2 ³ / ₄	300.76	10B86E	E	A-1	3 ¹ / ₈	2 ³ / ₄	383.16
9.75	9.00	9.40	8B94E	E	A-1	2 ³ / ₈	2 ³ / ₄	309.00	10B94E	E	A-2	3 ¹ / ₈	2 ³ / ₄	432.60
11.35	10.60	11.00	8B110E	E	A-2	2 ³ / ₈	2 ³ / ₄	366.68	10B110E	E	A-2	3 ¹ / ₈	2 ³ / ₄	535.60
12.75	12.00	12.40	8B124E	E	A-3	2 ³ / ₈	2 ³ / ₄	383.16	10B124E	E	A-3	3 ¹ / ₈	2 ³ / ₄	547.96
13.95	13.20	13.60	8B136E	E	A-3	2 ³ / ₈	2 ³ / ₄	465.56	10B136F	F	A-3	2 ¹ / ₁₆	3 ³ / ₄	655.08
15.75	15.00	15.40	8B154E	E	A-3	2 ³ / ₈	2 ³ / ₄	515.00	10B154F	F	A-3	2 ¹ / ₁₆	3 ³ / ₄	700.40
16.35	15.60	16.00	8B160E	E	A-3	2 ³ / ₈	2 ³ / ₄	589.16	10B160F	F	A-3	2 ¹ / ₁₆	3 ³ / ₄	782.80
18.75	18.00	18.40	8B184F	F	A-3	1 ⁵ / ₁₆	3 ³ / ₄	655.08	10B184F	F	A-3	2 ¹ / ₁₆	3 ³ / ₄	824.00
20.35	19.60	20.00	8B200F	F	A-3	1 ⁵ / ₁₆	3 ³ / ₄	710.70	10B200F	F	A-3	2 ¹ / ₁₆	3 ³ / ₄	885.80
25.35	24.60	25.00	8B250F	F	A-3	1 ⁵ / ₁₆	3 ³ / ₄	906.40	10B250F	F	A-3	2 ¹ / ₁₆	3 ³ / ₄	1194.80
30.35	29.60	30.00	8B300F	F	A-3	1 ⁵ / ₁₆	3 ³ / ₄	1297.80	10B300F	F	A-3	2 ¹ / ₁₆	3 ³ / ₄	1421.40
38.35	37.60	38.00	8B380F	F	A-3	1 ⁵ / ₁₆	3 ³ / ₄	1792.20	10B380J	J	A-3	1 ⁹ / ₁₆	4 ⁵ / ₈	1833.40

*Suffix on Type indicates construction:
 1=Solid 2=Web 3=Arm/Spoke

sheaves are precision machined from gray cast iron, statically balanced painted with baked enamel finish and individually packaged or lagged.

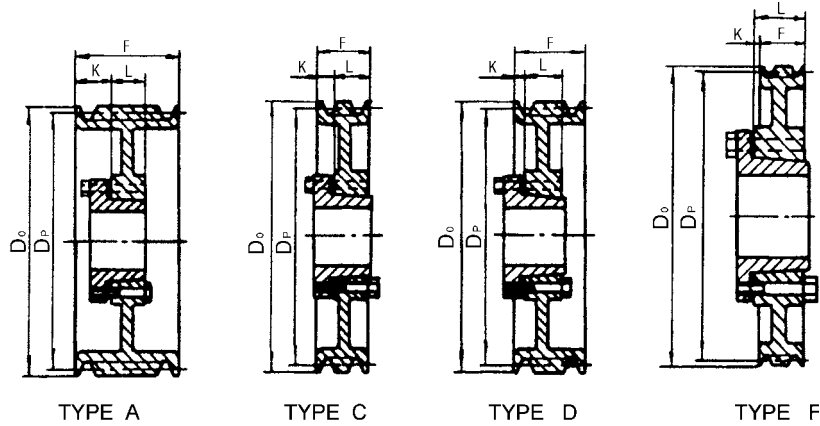
Order bushings separately from page B · 1.



SHEAVE

Heavy Duty QD Sheaves

One and Two Groove QD C Sheaves



Diameters		1 Groove F=1 ³ / ₈					List Price	2 Groove F=2 ³ / ₈					List Price
D ₀	D _P	Part No.	Bush	Type*	K	L		Part No.	Bush	Type*	K	L	
6.40"	6.00"	1C60SK	SK	C-1	1/8"	1 ¹⁵ / ₁₆ "	109.80	2C60SF	SF	A-1	7/8"	1 ¹⁵ / ₁₆ "	128.04
7.40	7.00	1C70SF	SF	C-1	1/8	2 ¹ / ₁₆	108.64	2C70SF	SF	A-1	13/16	2 ¹ / ₁₆	128.04
7.90	7.50	1C75SF	SF	C-1	1/8	2 ¹ / ₁₆	116.40	2C75SF	SF	A-1	13/16	2 ¹ / ₁₆	131.92
8.40	8.00	1C80SF	SF	C-1	1/8	2 ¹ / ₁₆	120.28	2C80SF	SF	A-1	13/16	2 ¹ / ₁₆	139.68
8.90	8.50	1C85SF	SF	C-2	1/8	2 ¹ / ₁₆	124.16	2C85SF	SF	A-2	13/16	2 ¹ / ₁₆	143.56
9.40	9.00	1C90SF	SF	C-2	1/8	2 ¹ / ₁₆	128.04	2C90SF	SF	A-2	13/16	2 ¹ / ₁₆	147.44
9.90	9.50	1C95SF	SF	C-2	1/8	2 ¹ / ₁₆	131.92	2C95SF	SF	A-2	13/16	2 ¹ / ₁₆	155.20
10.40	10.00	1C100SF	SF	C-2	1/8	2 ¹ / ₁₆	135.80	2C100SF	SF	A-2	13/16	2 ¹ / ₁₆	170.72
10.90	10.50	1C105SF	SF	C-3	1/8	2 ¹ / ₁₆	147.44	2C105SF	SF	A-3	13/16	2 ¹ / ₁₆	182.36
11.40	11.00	1C110SF	SF	C-3	1/8	2 ¹ / ₁₆	166.84	2C110SF	SF	A-3	13/16	2 ¹ / ₁₆	194.00
12.40	12.00	1C120SF	SF	C-3	1/8	2 ¹ / ₁₆	178.48	2C120SF	SF	D-3	9/16	2 ¹ / ₁₆	203.70
13.40	13.00	1C130SF	SF	C-3	1/8	2 ¹ / ₁₆	232.80	2C130SF	SF	D-3	9/16	2 ¹ / ₁₆	242.50
14.40	14.00	1C140SF	SF	C-3	1/8	2 ¹ / ₁₆	252.20	2C140SF	SF	D-3	9/16	2 ¹ / ₁₆	261.90
15.40	15.00	1C150SF	SF	C-3	1/8	2 ¹ / ₁₆	261.90	2C150SF	SF	D-3	9/16	2 ¹ / ₁₆	271.60
16.40	16.00	1C160SF	SF	C-3	1/8	2 ¹ / ₁₆	271.60	2C160SF	SF	D-3	9/16	2 ¹ / ₁₆	281.30
18.40	18.00	1C180SF	SF	C-3	1/8	2 ¹ / ₁₆	291.00	2C180SF	SF	D-3	9/16	2 ¹ / ₁₆	300.70
20.40	20.00	1C200SF	SF	C-3	1/8	2 ¹ / ₁₆	310.40	2C200SF	SF	D-3	9/16	2 ¹ / ₁₆	329.80
24.40	24.00	1C240SF	SF	C-3	1/8	2 ¹ / ₁₆	394.20	2C240SF	SF	D-3	9/16	2 ¹ / ₁₆	446.20
27.40	27.00							2C270F	F	F-3	1/8	3 ³ / ₄	533.50
30.40	30.00							2C300F	F	F-3	1/8	3 ³ / ₄	601.40

*Suffix on Type indicates construction:
 1=Solid 2=Web 3=Arm/Spoke

sheaves are precision machined from gray cast iron, statically balanced painted with baked enamel finish and individually packaged or lagged.

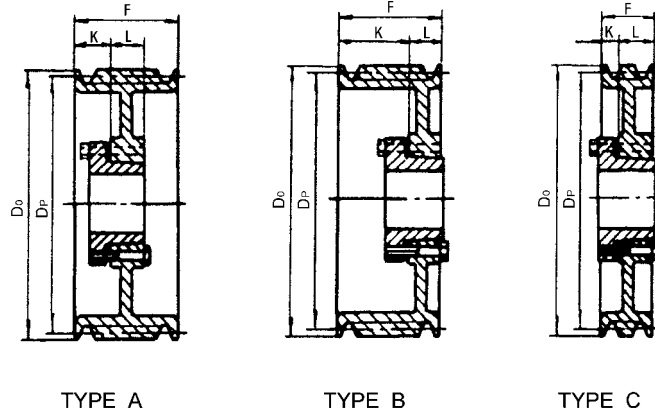
Order bushings separately from page B-1.



S H E A V E

Heavy Duty QD Sheaves

Three and Four Groove QD C Sheaves



Diameters		3 Groove F=13/8					List	4 Groove F=23/8					List
D ₀	D _p	Part No.	Bush	Type*	K	L	Price	Part No.	Bush	Type*	K	L	Price
5.40"	5.00"	3C50SD	SD	A-1	1 1/4"	1 13/16"	130.00	4C50SD	SD	A-1	1 1/4"	1 13/16"	151.32
5.80	5.40	3C54SD	SD	A-1	1 15/16	1 13/16	136.00	4C54SD	SD	A-1	1 5/16	1 13/16	152.29
5.90	5.50	3C55SD	SD	A-1	1 15/16	1 13/16	138.00	4C55SD	SD	A-1	1 5/16	1 13/16	153.26
6.00	5.60	3C56SD	SD	A-1	1 15/16	1 13/16	140.00	4C56SD	SD	A-1	1 5/16	1 13/16	153.26
6.40	6.00	3C60SF	SF	A-1	7/8	1 15/16	142.00	4C60SF	SF	A-1	7/8	1 15/16	157.14
7.40	7.00	3C70SF	SF	A-1	1 15/16	2 1/16	143.00	4C70SF	SF	A-1	1 9/16	2 1/16	159.08
7.90	7.50	3C75SF	SF	A-1	1 15/16 _v	2 1/16	143.56	4C75SF	SF	A-1	1 9/16	2 1/16	166.84
8.40	8.00	3C80E	E	B-1	1 3/4	2 3/4	151.32	4C80E	E	A-1	2	2 3/4	190.12
8.90	8.50	3C85E	E	B-1	1 3/4	2 3/4	170.72	4C85E	E	A-1	2	2 3/4	201.76
9.40	9.00	3C90E	E	B-1	1 3/4	2 3/4	182.36	4C90E	E	A-1	2	2 3/4	217.28
9.90	9.50	3C95E	E	B-1	1 3/4	2 3/4	194.00	4C95E	E	A-1	2	2 3/4	221.16
10.40	10.00	3C100E	E	B-2	1 3/4	2 3/4	213.40	4C100E	E	A-2	2	2 3/4	232.80
10.90	10.50	3C105E	E	B-2	1 3/4	2 3/4	223.10	4C105E	E	A-2	2	2 3/4	252.20
11.40	11.00	3C110E	E	B-3	1 3/4	2 3/4	232.80	4C110E	E	A-3	2	2 3/4	263.84
12.40	12.00	3C120E	E	B-3	1 3/4	2 3/4	242.50	4C120E	E	A-3	2	2 3/4	291.00
13.40	13.00	3C130E	E	B-3	1 3/4	2 3/4	281.30	4C130E	E	A-3	2	2 3/4	325.92
14.40	14.00	3C140E	E	B-3	1 3/4	2 3/4	310.40	4C140E	E	A-3	2	2 3/4	353.08
15.40	15.00	3C150E	E	B-3	1 3/4	2 3/4	314.28	4C150E	E	A-3	2	2 3/4	370.54
16.40	16.00	3C160E	E	B-3	1 3/4	2 3/4	320.10	4C160E	E	A-3	2	2 3/4	407.40
18.40	18.00	3C180E	E	B-3	1 3/4	2 3/4	339.50	4C180E	E	A-3	2	2 3/4	417.10
20.40	20.00	3C200E	E	A-3	1	2 3/4	388.00	4C200E	E	A-3	1 1/2	2 3/4	436.50
24.40	24.00	3C240E	E	A-3	1	2 3/4	465.60	4C240F	F	A-3	1 5/16	3 3/4	543.20
27.40	27.00	3C270F	F	C-3	7/8	3 3/4	562.60	4C270F	F	A-3	1 5/16	3 3/4	640.20
30.40	30.00	3C300F	F	C-3	7/8	3 3/4	620.80	4C300F	F	A-3	1 5/16	3 3/4	737.20
36.40	36.00	3C360F	F	C-3	7/8	3 3/4	950.60	4C360F	F	A-3	1 5/16	3 3/4	1086.40
44.40	44.00	3C440F	F	C-3	13/16	3 3/4	1668.40	4C440J	J	A-3	1 9/16	4 5/8	1746.00
50.40	50.00	3C500F	F	C-3	13/16	3 3/4	1862.40	4C500J	J	A-3	1 9/16	4 5/8	2056.40

*Suffix on Type indicates construction:

1=Solid 2=Web 3=Arm/Spoke

sheaves are precision machined from gray cast iron, statically balanced painted with baked enamel finish and individually packaged or lagged.

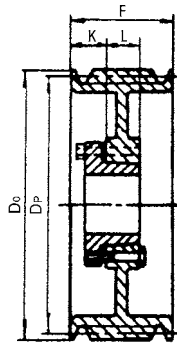
Order bushings separately from page B · 1.



S H E A V E

Heavy Duty QD Sheaves

Five and Six Groove QD C Sheaves



TYPE A



Diameters		5 Groove F=53/8					List Price	6 Groove F=63/8					List Price
D ₀	D _P	Part No.	Bush	Type*	K	L		Part No.	Bush	Type*	K	L	
6.40"	6.00"	5C60SF	SF	A-1	7/8"	1 15/16"	168.78	6C60SF	SF	A-1	7/8"	1 15/16"	236.68
7.40	7.00	5C70SF	SF	A-1	1 15/16	2 1/16	170.72	6C70SF	SF	A-1	1 15/16	2 1/16	240.56
7.90	7.50	5C75SF	SF	A-1	1 15/16	2 1/16	217.28	6C75SF	SF	A-1	1 15/16	2 1/16	256.08
8.40	8.00	5C80E	E	A-1	2 3/8	2 3/4	228.92	6C80E	E	A-1	2 3/8	2 3/4	271.60
8.90	8.50	5C85E	E	A-1	2 3/8	2 3/4	244.44	6C85E	E	A-1	2 3/8	2 3/4	279.36
9.40	9.00	5C90E	E	A-1	2 3/8	2 3/4	248.32	6C90F	F	A-1	17/16	3 3/4	287.12
9.90	9.50	5C95E	E	A-1	2 3/8	2 3/4	263.84	6C95F	F	A-1	17/16	3 3/4	306.52
10.40	10.00	5C100E	E	A-2	2 3/8	2 3/4	267.72	6C100F	F	A-1	17/16	3 3/4	318.16
10.90	10.50	5C105E	E	A-2	2 3/8	2 3/4	287.12	6C105F	F	A-1	17/16	3 3/4	325.92
11.40	11.00	5C110E	E	A-3	2 3/8	2 3/4	322.04	6C110F	F	A-2	17/16	3 3/4	345.32
12.40	12.00	5C120E	E	A-3	2 3/8	2 3/4	325.92	6C120F	F	A-2	17/16	3 3/4	388.00
13.40	13.00	5C130E	E	A-3	2 3/8	2 3/4	364.72	6C130F	F	A-3	17/16	3 3/4	430.68
14.40	14.00	5C140E	E	A-3	2 3/8	2 3/4	368.60	6C140F	F	A-3	17/16	3 3/4	465.60
15.40	15.00	5C150E	E	A-3	2 3/8	2 3/4	397.70	6C150F	F	A-3	17/16	3 3/4	485.00
16.40	16.00	5C160E	E	A-3	2 3/8	2 3/4	417.10	6C160F	F	A-3	17/16	3 3/4	504.40
18.40	18.00	5C180E	E	A-3	2 3/8	2 3/4	465.60	6C180F	F	A-3	17/16	3 3/4	543.20
20.40	20.00	5C200E	F	A-3	1 5/16	3 3/4	582.00	6C200F	F	A-3	1 15/16	3 3/4	601.40
24.40	24.00	5C240E	F	A-3	1 5/16	3 3/4	620.80	6C240F	F	A-3	1 15/16	3 3/4	698.40
27.40	27.00	5C270F	F	A-3	1 5/16	3 3/4	737.20	6C270J	J	A-3	1 9/16	4 5/8	853.60
30.40	30.00	5C300F	F	A-3	1 5/16	3 3/4	814.80	6C300J	J	A-3	1 9/16	4 5/8	1008.80
36.40	36.00	5C360J	J	A-3	1 9/16	4 5/8	1144.60	6C360J	J	A-3	1 9/16	4 5/8	1261.00
44.40	44.00	5C440J	J	A-3	1 9/16	4 5/8	1881.80	6C440J	J	A-3	1 9/16	4 5/8	1978.80
50.40	50.00	5C500J	J	A-3	1 9/16	4 5/8	2211.60	6C500M	M	A-3	1 15/16	6 3/4	2599.60

*Suffix on Type indicates construction:
 1=Solid 2=Web 3=Arm/Spoke

Order bushings separately from page B-1.

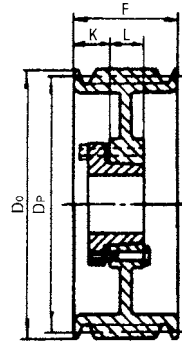
sheaves are precision machined from gray cast iron, statically balanced painted with baked enamel finish and individually packaged or lagged.



S H E A V E

Heavy Duty QD Sheaves

Eight and Ten Groove QD C Sheaves



TYPE A



Diameters		8 Groove F = 83/8					List	10 Groove F = 103/8					List
D ₀	D _P	Part No.	Bush	Type*	K	L	Price	Part No.	Bush	Type*	K	L	Price
7.40"	7.00"	8C70SF	SF	A-1	3 ¹ / ₈ "	2 ¹ / ₁₆ "	336.00						
8.40	8.00	8C80E	E	A-1	3 ¹ / ₄	2 ³ / ₄	409.50	10C80E	E	A-1	3 ¹ / ₄ "	2 ³ / ₄ "	483.00
8.90	8.50	8C85E	E	A-1	3 ¹ / ₄	2 ³ / ₄	420.00	10C85E	E	A-1	3 ¹ / ₄	2 ³ / ₄	504.00
9.40	9.00	8C90F	F	A-1	3 ⁵ / ₁₆	3 ³ / ₄	430.50	10C90J	J	A-1	3 ⁹ / ₁₆	4 ⁵ / ₈	525.00
9.90	9.50	8C95F	F	A-1	3 ⁵ / ₁₆	3 ³ / ₄	441.00	10C95J	J	A-1	3 ⁹ / ₁₆	4 ⁵ / ₈	537.60
10.40	10.00	8C100F	F	A-1	3 ⁵ / ₁₆	3 ³ / ₄	451.50	10C100J	J	A-1	3 ⁹ / ₁₆	4 ⁵ / ₈	546.00
10.90	10.50	8C105F	F	A-1	3 ⁵ / ₁₆	3 ³ / ₄	472.50	10C105J	J	A-1	3 ⁹ / ₁₆	4 ⁵ / ₈	609.00
11.40	11.00	8C110F	F	A-1	3 ⁵ / ₁₆	3 ³ / ₄	504.00	10C110J	J	A-1	3 ⁹ / ₁₆	4 ⁵ / ₈	630.00
12.40	12.00	8C120F	F	A-2	3 ⁵ / ₁₆	3 ³ / ₄	546.00	10C120J	J	A-1	3 ⁹ / ₁₆	4 ⁵ / ₈	798.00
13.40	13.00	8C130F	F	A-2	3 ⁵ / ₁₆	3 ³ / ₄	588.00	10C130J	J	A-2	3 ⁹ / ₁₆	4 ⁵ / ₈	882.00
14.40	14.00	8C140F	F	A-2	3 ⁵ / ₁₆	3 ³ / ₄	682.50	10C140J	J	A-2	3 ⁹ / ₁₆	4 ⁵ / ₈	945.00
15.40	15.00	8C150F	F	A-2	3 ⁵ / ₁₆	3 ³ / ₄	756.00	10C150J	J	A-2	3 ⁹ / ₁₆	4 ⁵ / ₈	990.00
16.40	16.00	8C160F	F	A-3	3 ⁵ / ₁₆	3 ³ / ₄	777.00	10C160J	J	A-3	3 ⁹ / ₁₆	4 ⁵ / ₈	1008.00
18.40	18.00	8C180F	F	A-3	3 ⁵ / ₁₆	3 ³ / ₄	903.00	10C180J	J	A-3	3 ⁹ / ₁₆	4 ⁵ / ₈	1134.00
20.40	20.00	8C200J	J	A-3	1 ⁹ / ₁₆	4 ⁵ / ₈	913.50	10C200J	J	A-3	3 ⁹ / ₁₆	4 ⁵ / ₈	1176.00
24.40	24.00	8C240J	J	A-3	1 ⁹ / ₁₆	4 ⁵ / ₈	1071.00	10C240M	M	A-3	3 ⁹ / ₁₆	6 ³ / ₄	1428.00
27.40	27.00	8C270J	J	A-3	1 ⁹ / ₁₆	4 ⁵ / ₈	1176.00						
30.40	30.00	8C300J	J	A-3	1 ⁹ / ₁₆	4 ⁵ / ₈	1344.00	10C300M	M	A-3	1 ¹⁵ / ₁₆	6 ³ / ₄	1848.00
36.40	36.00	8C360M	M	A-3	1 ¹⁵ / ₁₆	6 ³ / ₄	1680.00	10C360M	M	A-3	1 ¹⁵ / ₁₆	6 ³ / ₄	2688.00
44.40	44.00	8C440M	M	A-3	1 ¹⁵ / ₁₆	6 ³ / ₄	2688.00	10C440M	M	A-3	1 ¹⁵ / ₁₆	6 ³ / ₄	2940.00
50.40	50.00	8C500M	M	A-3	1 ¹⁵ / ₁₆	6 ³ / ₄	3150.00	10C500M	M	A-3	1 ¹⁵ / ₁₆	6 ³ / ₄	3675.00

*Suffix on Type indicates construction:
 1=Solid 2=Web 3=Arm/Spoke

sheaves are precision machined from gray cast iron, statically balanced painted with baked enamel finish and individually packaged or lagged.

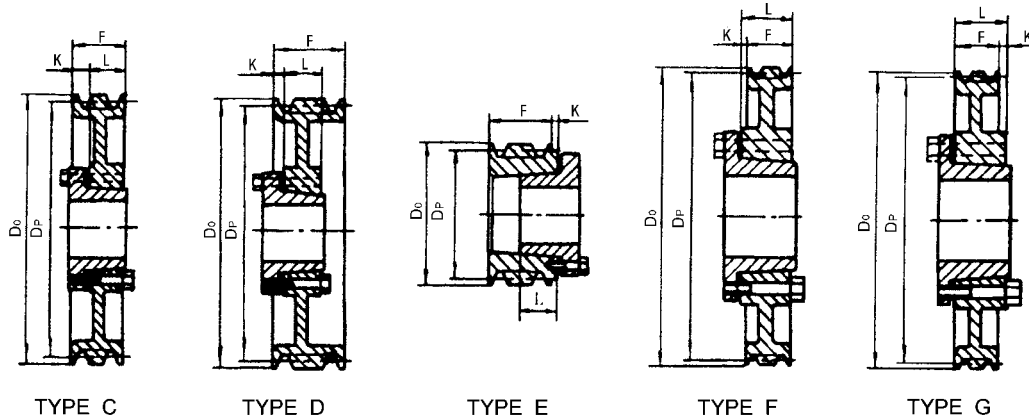
Order bushings separately from page B · 1.



SHEAVE

Heavy Duty QD Sheaves

One and Two Groove QD 3V Sheaves



Diameters		1 Groove F = 11/16					List Price	2 Groove F = 13/32					List Price
D ₀	D _p	Part No.	Bush	Type*	K	L		Part No.	Bush	Type*	K	L	
2.20"	2.15"	1-3V220JA	JA	E-1	7/16"	1"	19.40	2-3V220JA	JA	E-1	7/16"	1"	27.94
2.35	2.30	1-3V235JA	JA	E-1	7/16	1	20.18	2-3V235JA	JA	E-1	7/16	1	28.71
2.50	2.45	1-3V250JA	JA	E-1	7/16	1	20.95	2-3V250JA	JA	E-1	7/16	1	29.49
2.65	2.60	1-3V265JA	JA	C-1	1/8	1	21.73	2-3V265JA	JA	D-1	1/8	1	30.26
2.80	2.75	1-3V280JA	JA	C-1	1/8	1	22.50	2-3V280JA	JA	D-1	1/8	1	31.04
3.00	2.95	1-3V300JA	JA	C-1	1/8	1	23.28	2-3V300JA	JA	D-1	1/8	1	31.82
3.15	3.10	1-3V315JA	JA	C-1	1/8	1	24.25	2-3V315JA	JA	D-1	1/8	1	32.98
3.35	3.30	1-3V335JA	JA	C-1	1/8	1	25.61	2-3V335SH	SH	D-1	9/64	15/16	34.14
3.65	3.60	1-3V365SH	SH	G-1	1/8	15/16	26.77	2-3V365SH	SH	D-1	9/64	15/16	35.31
4.12	4.07	1-3V412SH	SH	G-1	1/8	15/16	27.94	2-3V412SH	SH	D-1	9/32	15/16	38.80
4.50	4.45	1-3V450SH	SH	G-1	1/8	15/16	29.10	2-3V450SH	SH	D-1	9/32	15/16	42.68
4.75	4.70	1-3V475SH	SH	G-1	1/8	15/16	31.04	2-3V475SH	SH	D-1	9/32	15/16	46.56
5.00	4.90	1-3V500SH	SH	G-1	1/8	15/16	32.98	2-3V500SH	SH	D-1	9/32	15/16	50.44
5.30	5.25	1-3V530SH	SH	G-2	1/8	15/16	34.92	2-3V530SH	SH	D-1	9/32	15/16	52.38
5.60	5.55	1-3V560SH	SH	G-2	1/8	15/16	36.86	2-3V560SH	SH	D-2	9/32	15/16	54.32
6.00	5.95	1-3V600SH	SH	G-2	1/8	15/16	38.80	2-3V600SH	SH	D-2	9/32	15/16	56.26
6.50	6.45	1-3V650SH	SH	G-2	1/8	15/16	42.68	2-3V650SDS	SDS	D-2	5/16	15/16	62.08
6.90	6.85	1-3V690SH	SH	G-3	1/8	15/16	50.44	2-3V690SDS	SDS	D-2	5/16	15/16	67.90
8.00	7.95	1-3V800SDS	SDS	G-3	0	15/16	58.20	2-3V800SDS	SDS	D-3	5/16	15/16	69.84
10.60	10.55	1-3V1060SDS	SDS	G-3	0	15/16	97.00	2-3V1060SK	SK	F-3	5/32	115/16	106.70
14.00	13.95	1-3V1400SK	SK	G-3	7/16	115/16	116.40	2-3V1400SK	SK	F-3	5/32	115/16	168.78
19.00	18.95	1-3V1900SK	SK	G-3	7/16	115/16	194.00	2-3V1900SK	SK	F-3	5/32	115/16	197.88
25.00	24.95							2-3V2500SF	SF	E-3	1/4	21/16	349.20

*Suffix on Type indicates construction:

1=Solid 2=Web 3=Arm/Spoke

Order bushings separately from page B-1.

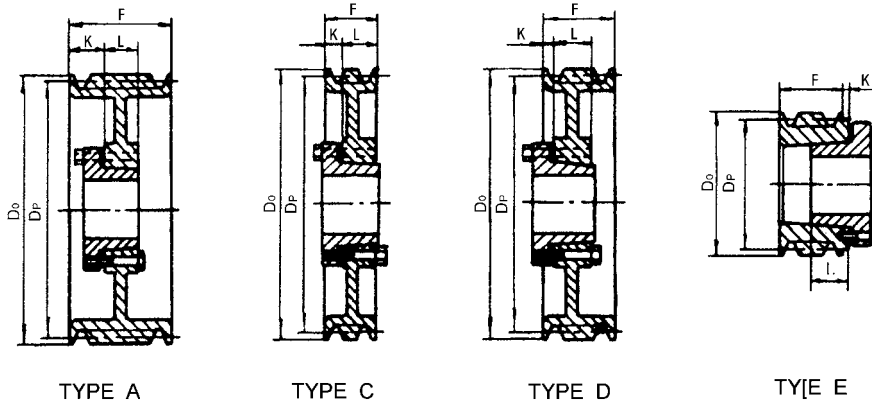
sheaves are precision machined from gray cast iron, statically balanced painted with baked enamel finish and individually packaged or lagged.



S H E A V E

Heavy Duty QD Sheaves

Three and Four Groove QD 3V Sheaves



Diameters		3 Groove F = 1 1/2					List	4 Groove F = 1 29/32					List
D ₀	D _P	Part No.	Bush	Type*	K	L	Price	Part No.	Bush	Type*	K	L	Price
2.50"	2.45"	3-3V250JA	JA	E-1	7/16"	1"	34.92						
2.65	2.60	3-3V265JA	JA	D-1	1/8	1	35.70	4-3V265JA	JA	D-1	1/8"	1"	41.13
2.80	2.75	3-3V280JA	JA	D-1	1/8	1	36.47	4-3V280JA	JA	D-1	1/8	1	41.52
3.00	2.95	3-3V300SH	SH	E-1	5/16	1 5/16	37.64	4-3V300SH	SH	E-1	0	1 5/16	41.90
3.15	3.10	3-3V315SH	SH	E-1	5/16	1 5/16	38.80	4-3V315SH	SH	E-1	0	1 5/16	43.46
3.35	3.30	3-3V335SH	SH	D-1	1/8	1 5/16	39.96	4-3V335SH	SH	D-1	1/8	1 5/16	45.01
3.65	3.60	3-3V365SH	SH	D-1	1/8	1 5/16	41.13	4-3V365SH	SH	D-1	1/8	1 5/16	46.56
4.12	4.07	3-3V412SH	SH	A-1	1 1/16	1 5/16	42.68	4-3V412SH	SH	A-1	13/16	1 5/16	48.50
4.50	4.45	3-3V450SDS	SDS	A-1	1 1/16	1 5/16	48.50	4-3V450SDS	SDS	A-1	13/16	1 5/16	50.44
4.75	4.70	3-3V475SDS	SDS	A-1	1 1/16	1 5/16	52.38	4-3V475SDS	SDS	A-1	13/16	1 5/16	54.32
5.00	4.95	3-3V500SDS	SDS	A-1	1 1/16	1 5/16	56.26	4-3V500SDS	SDS	A-1	13/16	1 5/16	58.20
5.30	5.25	3-3V530SDS	SDS	A-1	1 1/16	1 5/16	58.20	4-3V530SDS	SDS	A-1	13/16	1 5/16	62.08
5.60	5.55	3-3V560SDS	SDS	A-1	1 1/16	1 5/16	60.14	4-3V560SDS	SDS	A-1	13/16	1 5/16	64.02
6.00	5.95	3-3V600SDS	SDS	A-2	1 1/16	1 5/16	64.02	4-3V600SK	SK	D-1	5/8	1 15/16	67.90
6.50	6.45	3-3V650SDS	SDS	A-2	1 1/16	1 5/16	65.96	4-3V650SK	SK	D-2	5/8	1 15/16	69.84
6.90	6.85	3-3V690SDS	SDS	A-2	1 1/16	1 5/16	77.60	4-3V690SK	SK	D-2	5/8	1 15/16	79.54
8.00	7.95	3-3V800SK	SK	C-3	1/4	1 15/16	83.42	4-3V800SK	SK	D-3	5/8	1 15/16	85.36
10.60	10.55	3-3V1060SK	SK	C-3	1/4	1 15/16	122.22	4-3V1060SK	SK	D-3	5/8	1 15/16	124.16
14.00	13.95	3-3V1400SK	SK	C-3	1/4	1 15/16	178.48	4-3V1400SK	SK	D-3	5/8	1 15/16	190.12
19.00	18.95	3-3V1900SF	SF	C-3	1/4	2 1/16	209.52	4-3V1900SF	SF	C-3	2 1/32	2 1/16	244.44
25.00	24.95	3-3V2500SF	SF	C-3	1/4	2 1/16	388.00	4-3V2500SF	SF	C-3	2 1/32	2 1/16	399.64
33.50	33.45	3-3V3350SF	SF	C-3	1/4	2 1/16	698.40	4-3V3350E	E	C-3	9/32	2 3/4	756.60

*Suffix on Type indicates construction:
 1=Solid 2=Web 3=Arm/Spoke

sheaves are precision machined from gray cast iron, statically balanced painted with baked enamel finish and individually packaged or lagged.

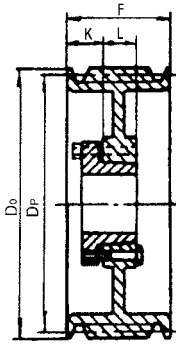
Order bushings separately from page B-1.



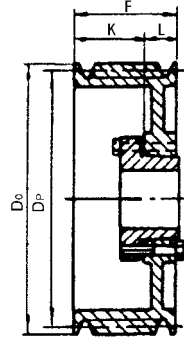
S H E A V E

Heavy Duty QD Sheaves

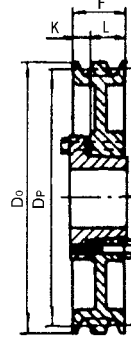
Five, Six, Eight and Ten Groove QD 3V Sheaves



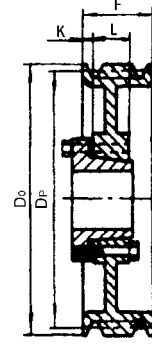
TYPE A



TYPE B



TYPE C



TYPE D

Diameters		5 Groove F = 2 5/16					List	6 Groove F = 2 23/32					List
D ₀	D _p	Part No.	Bush	Type*	K	L	Price	Part No.	Bush	Type*	K	L	Price
4.75"	4.70"	5-3V475SDS	SDS	A-1	13/16"	15/16	60.14	6-3V475SK	SK	D-1	1/8"	115/16"	81.48
5.00	4.95	5-3V500SDS	SDS	A-1	13/16	15/16	65.96	6-3V500SK	SK	D-1	1/8	115/16	83.42
5.30	5.25	5-3V530SK	SK	A-1	15/16	115/16	67.90	6-3V530SK	SK	A-1	15/16	115/16	85.36
5.60	5.55	5-3V560SK	SK	A-1	15/16	115/16	73.72	6-3V560SK	SK	A-1	15/16	115/16	87.30
6.00	5.95	5-3V600SK	SK	A-1	15/16	115/16	75.66	6-3V600SK	SK	A-1	15/16	115/16	89.24
6.50	6.45	5-3V650SK	SK	A-1	15/16	115/16	77.60	6-3V650SK	SK	A-1	15/16	115/16	91.18
6.90	6.85	5-3V690SK	SK	A-2	15/16	115/16	85.36	6-3V690SK	SK	A-2	15/16	115/16	108.64
8.00	7.95	5-3V800SK	SK	A-2	15/16	115/16	91.18	6-3V800SK	SK	A-2	15/16	115/16	120.28
10.60	10.55	5-3V1060SK	SK	A-3	15/16	115/16	126.10	6-3V1060SF	SF	A-2	7/8	21/16	139.68
14.00	13.95	5-3V1400SF	SF	A-3	7/8	21/16	225.04	6-3V1400SF	SF	A-3	7/8	21/16	240.56
19.00	18.95	5-3V1900SF	SF	A-3	7/8	21/16	283.24	6-3V1900E	E	B-3	13/32	23/4	298.76
25.00	24.95	5-3V2500E	E	C-3	11/16	23/4	422.92	6-3V2500E	E	B-3	13/32	23/4	438.44
33.50	33.45	5-3V3350E	E	C-3	11/16	23/4	824.50	6-3V3350E	E	B-3	13/32	23/4	873.00
Diameters		8 Groove F = 3 17/32					List	10 Groove F = 4 11/32					List
D ₀	D _p	Part No.	Bush	Type*	K	L	Price	Part No.	Bush	Type*	K	L	Price
4.75"	4.70"	8-3V475SK	SK	D-1	1/8"	115/16"	111.30	10-3V475SK	SK	D-1	1/8"	115/16"	132.30
5.00	4.95	8-3V500SK	SK	D-1	1/8	115/16	115.50	10-3V500SK	SK	D-1	1/8	115/16	134.40
5.30	5.25	8-3V530SK	SK	A-1	15/16	115/16	130.20	10-3V530SK	SK	A-1	17/16	115/16	136.50
5.60	5.55	8-3V560SK	SK	A-1	15/16	115/16	132.30	10-3V560SK	SK	A-1	17/16	115/16	138.60
6.00	5.95	8-3V600SK	SK	A-1	15/16	115/16	134.40	10-3V600SK	SK	A-1	17/16	115/16	140.70
6.50	6.45	8-3V650SK	SK	A-1	15/16	115/16	136.50	10-3V650SK	SK	A-1	17/16	115/16	151.20
6.90	6.85	8-3V690SK	SK	A-2	15/16	115/16	138.60	10-3V690SK	SK	A-2	17/16	115/16	153.30
8.00	7.95	8-3V800SF	SF	A-2	1 1/8	21/16	155.40	10-3V800SF	SF	A-2	1 1/2	21/16	203.70
10.60	10.55	8-3V1060SF	SF	A-3	1 1/8	21/16	220.50	10-3V1060E	E	A-2	1 1/4	23/4	262.50
14.00	13.95	8-3V1400E	E	A-3	1 1/4	23/4	298.20	10-3V1400E	E	A-3	1 1/4	23/4	336.00
19.00	18.95	8-3V1900E	E	A-3	1 1/4	23/4	466.20	10-3V1900E	E	A-3	1 1/4	23/4	495.60
25.00	24.95	8-3V2500E	E	A-3	1 1/4	23/4	546.00	10-3V2500F	F	A-3	15/16	33/4	625.80
33.50	33.45	8-3V3350F	F	B-3	1 1/32	33/4	1029.00	10-3V3350F	F	A-3	15/16	33/4	1155.00

*Suffix on Type indicates construction:

1=Solid 2=Web 3=Arm/Spoke

sheaves are precision machined from gray cast iron, statically balanced painted with baked enamel finish and individually packaged or lagged.

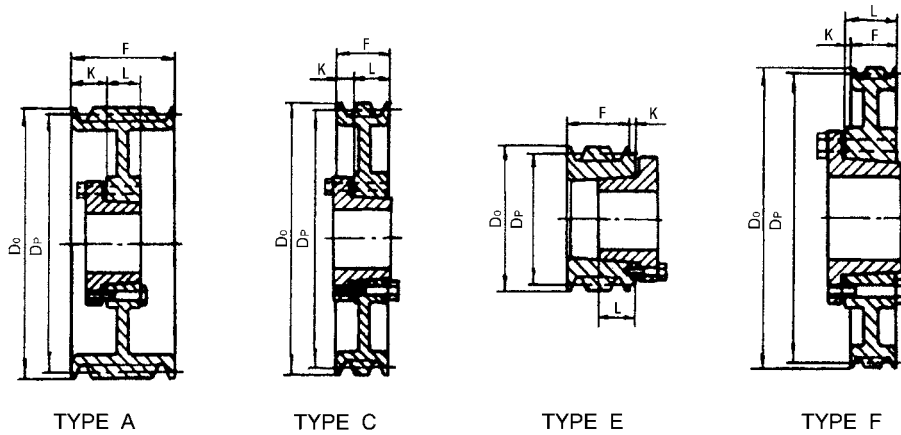
Order bushings separately from page B-1.



S H E A V E

Heavy Duty QD Sheaves

Two and Three Groove QD 5V Sheaves



Diameters		2 Groove F = 1 11/16					List	3 Groove F = 2 3/8					List
D ₀	D _P	Part No.	Bush	Type*	K	L	Price	Part No.	Bush	Type*	K	L	Price
4.40"	4.30"	2-5V440SH	SH	A-1	1 11/16"	1 5/16"	65.70	3-5V440SDS	SDS	E-1	0"	1 5/16"	71.10
4.65	4.55	2-5V465SDS	SDS	E-1	3/16	1 5/16	71.10	3-5V465SDS	SDS	E-1	0	1 5/16	76.50
4.90	4.80	2-5V490SDS	SDS	A-1	1 1/16	1 5/16	76.50	3-5V490SDS	SDS	A-1	1 1/16	1 5/16	81.90
5.20	5.10	2-5V520SDS	SDS	A-1	1 1/16	1 5/16	81.90	3-5V520SDS	SDS	A-1	1 1/16	1 5/16	87.30
5.50	5.40	2-5V550SDS	SDS	A-1	1 1/16	1 5/16	87.30	3-5V550SDS	SDS	A-1	1 1/16	1 5/16	92.70
5.90	5.80	2-5V590SDS	SDS	A-1	1 1/16	1 5/16	92.70	3-5V590SDS	SDS	A-1	1 1/16	1 5/16	98.10
6.30	6.20	2-5V630SK	SK	C-1	7/16	1 15/16	98.10	3-5V630SK	SK	A-1	1 1/8	1 15/16	103.50
6.70	6.60	2-5V670SK	SK	C-1	7/16	1 15/16	103.50	3-5V670SK	SK	A-1	1 1/8	1 15/16	108.90
7.10	7.00	2-5V710SK	SK	C-1	7/16	1 15/16	108.00	3-5V710SF	SF	A-1	1 1/8	2 1/16	115.20
7.50	7.40	2-5V750SK	SK	C-1	7/16	1 15/16	109.80	3-5V750SF	SF	A-1	1 1/8	2 1/16	120.60
8.00	7.90	2-5V800SK	SK	C-2	7/16	1 15/16	111.60	3-5V800SF	SF	A-1	1 1/8	2 1/16	127.80
8.50	8.40	2-5V850SK	SK	C-2	7/16	1 15/16	115.20	3-5V850SF	SF	A-2	1 1/8	2 1/16	131.40
9.00	8.90	2-5V900SK	SK	C-2	7/16	1 15/16	122.40	3-5V900SF	SF	A-2	1 1/8	2 1/16	135.00
9.25	9.15	2-5V925SK	SK	C-2	7/16	1 15/16	129.60	3-5V925SF	SF	A-2	1 1/8	2 1/16	140.40
9.75	9.65	2-5V975SK	SK	C-3	7/16	1 15/16	133.20	3-5V975SF	SF	A-2	1 1/8	2 1/16	145.80
10.30	10.20	2-5V1030SK	SK	C-3	7/16	1 15/16	136.80	3-5V1030SF	SF	A-2	1 1/8	2 1/16	154.80
10.90	10.80	2-5V1090SK	SK	C-3	7/16	1 15/16	140.40	3-5V1090SF	SF	A-2	1 1/8	2 1/16	158.40
11.30	11.20	2-5V1130SK	SK	C-3	7/16	1 15/16	144.00	3-5V1130SF	SF	A-3	1 1/8	2 1/16	162.00
11.80	11.70	2-5V1180SK	SK	C-3	7/16	1 15/16	145.80	3-5V1180SF	SF	A-3	1 1/8	2 1/16	174.60
12.50	12.40	2-5V1250SK	SK	C-3	7/16	1 15/16	147.60	3-5V1250SE	E	C-3	3/4	2 3/4	181.80
13.20	13.10	2-5V1320SF	SF	C-3	7/16	2 1/16	158.40	3-5V1320SE	E	C-3	3/4	2 3/4	190.80
14.00	13.90	2-5V1400SF	SF	C-3	7/16	2 1/16	207.00	3-5V1400SE	E	C-3	3/4	2 3/4	232.20
15.00	14.90	2-5V1500SF	SF	C-3	7/16	2 1/16	210.60	3-5V1500SE	E	C-3	3/4	2 3/4	246.60
16.00	15.90	2-5V1600SF	SF	C-3	7/16	2 1/16	226.80	3-5V1600SE	E	C-3	3/4	2 3/4	253.80
18.70	18.60	2-5V1870SF	SF	C-3	7/16	2 1/16	270.00	3-5V1870SE	E	C-3	3/4	2 3/4	295.20
21.20	21.10	2-5V2120SF	SF	C-3	7/16	2 1/16	374.40	3-5V2120E	E	C-3	3/4	2 3/4	396.00
23.60	23.50	2-5V2360E	E	C-3	1/16	2 3/4	432.00	3-5V2360E	E	C-3	3/4	2 3/4	450.00
28.00	27.90	2-5V2800E	E	C-3	1/16	2 3/4	441.00	3-5V2800E	E	C-3	3/4	2 3/4	486.00
31.50	31.40							3-5V3150F	F	F-3	1/8	3 3/4	828.00
37.50	37.40							3-5V3750F	F	F-3	1/8	3 3/4	1062.00

*Suffix on Type indicates construction:

1=Solid 2=Web 3=Arm/Spoke

Order bushings separately from page B · 1.

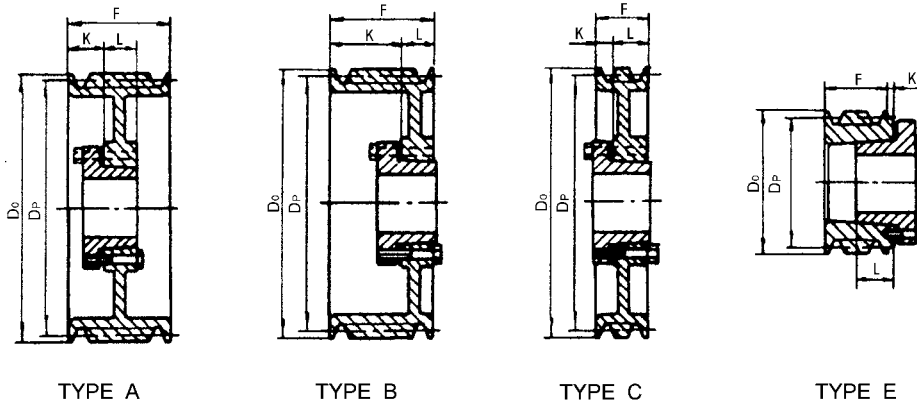
sheaves are precision machined from gray cast iron, statically balanced painted with baked enamel finish and individually packaged or lagged.



S H E A V E

Heavy Duty QD Sheaves

Four and Five Groove QD 5V Sheaves



Diameters		4 Groove F = 31/16					List	5 Groove F = 3 3/4					List
D _o	D _p	Part No.	Bush	Type*	K	L	Price	Part No.	Bush	Type*	K	L	Price
4.40"	4.30"	4-5V440SD	SD	E-1	0"	1 ¹³ / ₁₆ "	82.80	5-5V440SD	SD	E-1	0"	1 ¹³ / ₁₆ "	93.60
4.65	4.55	4-5V465SD	SD	E-1	0	1 ¹³ / ₁₆ "	88.20	5-5V465SD	SD	E-1	0	1 ¹³ / ₁₆ "	99.00
4.90	4.80	4-5V490SD	SD	A-1	1 ⁵ / ₁₆ "	1 ¹³ / ₁₆ "	93.60	5-5V490SD	SD	A-1	1 ⁵ / ₁₆ "	1 ¹³ / ₁₆ "	104.40
5.20	5.10	4-5V520SD	SD	A-1	1 ⁵ / ₁₆ "	1 ¹³ / ₁₆ "	99.00	5-5V520SD	SD	A-1	1 ⁵ / ₁₆ "	1 ¹³ / ₁₆ "	109.80
5.50	5.40	4-5V550SD	SD	A-1	1 ⁵ / ₁₆ "	1 ¹³ / ₁₆ "	104.40	5-5V550SD	SD	A-1	1 ⁵ / ₁₆ "	1 ¹³ / ₁₆ "	115.20
5.90	5.80	4-5V590SD	SD	A-1	1 ⁵ / ₁₆ "	1 ¹³ / ₁₆ "	109.80	5-5V590SK	SK	A-1	1 ⁵ / ₁₆ "	1 ¹⁵ / ₁₆ "	120.60
6.30	6.20	4-5V630SK	SK	A-1	1 ⁵ / ₁₆ "	1 ¹⁵ / ₁₆ "	115.20	5-5V630SK	SK	A-1	1 ⁵ / ₁₆ "	1 ¹⁵ / ₁₆ "	126.00
6.70	6.60	4-5V670SK	SK	A-1	1 ⁵ / ₁₆ "	1 ¹⁵ / ₁₆ "	120.60	5-5V670SF	SF	A-1	1 ³ / ₈ "	2 ¹ / ₁₆ "	131.40
7.10	7.00	4-5V710SF	SF	A-1	1 ¹ / ₁₆ "	2 ¹ / ₁₆ "	126.00	5-5V710SF	SF	A-1	1 ³ / ₈ "	2 ¹ / ₁₆ "	140.40
7.50	7.40	4-5V750SF	SF	A-1	1 ¹ / ₁₆ "	2 ¹ / ₁₆ "	133.20	5-5V750SF	SF	A-1	1 ³ / ₈ "	2 ¹ / ₁₆ "	156.60
8.00	7.90	4-5V800E	E	B-1	1 ⁷ / ₁₆ "	2 ³ / ₄ "	140.40	5-5V800E	E	A-1	1 ³ / ₄ "	2 ³ / ₄ "	165.60
8.50	8.40	4-5V850E	E	B-1	1 ⁷ / ₁₆ "	2 ³ / ₄ "	145.80	5-5V850E	E	A-1	1 ³ / ₄ "	2 ³ / ₄ "	171.00
9.00	8.90	4-5V900E	E	B-1	1 ⁷ / ₁₆ "	2 ³ / ₄ "	147.60	5-5V900E	E	A-1	1 ³ / ₄ "	2 ³ / ₄ "	178.20
9.25	9.15	4-5V925E	E	B-1	1 ⁷ / ₁₆ "	2 ³ / ₄ "	151.20	5-5V925E	E	A-1	1 ³ / ₄ "	2 ³ / ₄ "	181.80
9.75	9.65	4-5V975E	E	B-2	1 ⁷ / ₁₆ "	2 ³ / ₄ "	176.40	5-5V975E	E	A-2	1 ³ / ₄ "	2 ³ / ₄ "	196.20
10.30	10.20	4-5V1030E	E	B-2	1 ⁷ / ₁₆ "	2 ³ / ₄ "	180.00	5-5V1030E	E	A-2	1 ³ / ₄ "	2 ³ / ₄ "	198.00
10.90	10.80	4-5V1090E	E	B-2	1 ⁷ / ₁₆ "	2 ³ / ₄ "	185.40	5-5V1090E	E	A-2	1 ³ / ₄ "	2 ³ / ₄ "	199.80
11.30	11.20	4-5V1130E	E	B-2	1 ⁷ / ₁₆ "	2 ³ / ₄ "	201.60	5-5V1130E	E	A-2	1 ³ / ₄ "	2 ³ / ₄ "	217.80
11.80	11.70	4-5V1180E	E	B-2	1 ⁷ / ₁₆ "	2 ³ / ₄ "	203.40	5-5V1180E	E	A-2	1 ³ / ₄ "	2 ³ / ₄ "	219.60
12.50	12.40	4-5V1250E	E	B-3	1 ⁷ / ₁₆ "	2 ³ / ₄ "	210.60	5-5V1250E	E	A-3	1 ³ / ₄ "	2 ³ / ₄ "	253.80
13.20	13.10	4-5V1320E	E	B-3	1 ⁷ / ₁₆ "	2 ³ / ₄ "	230.40	5-5V1320E	E	A-3	1 ³ / ₄ "	2 ³ / ₄ "	270.00
14.00	13.90	4-5V1400E	E	B-3	1 ⁷ / ₁₆ "	2 ³ / ₄ "	261.00	5-5V1400E	E	A-3	1 ³ / ₄ "	2 ³ / ₄ "	309.60
15.00	14.90	4-5V1500E	E	B-3	1 ⁷ / ₁₆ "	2 ³ / ₄ "	288.00	5-5V1500E	E	A-3	1 ³ / ₄ "	2 ³ / ₄ "	345.60
16.00	15.90	4-5V1600E	E	B-3	1 ⁷ / ₁₆ "	2 ³ / ₄ "	306.00	5-5V1600E	E	A-3	1 ³ / ₄ "	2 ³ / ₄ "	363.60
18.70	18.60	4-5V1870E	E	A-3	1 ¹ / ₄ "	2 ³ / ₄ "	342.00	5-5V1870F	F	B-3	1 ¹ / ₄ "	3 ³ / ₄ "	388.80
21.20	21.10	4-5V2120E	E	A-3	1 ¹ / ₄ "	2 ³ / ₄ "	460.80	5-5V2120F	F	B-3	1 ¹ / ₄ "	3 ³ / ₄ "	482.40
23.60	23.50	4-5V2360F	F	C-3	7 ⁷ / ₈ "	3 ³ / ₄ "	491.40	5-5V2360F	F	B-3	1 ¹ / ₄ "	3 ³ / ₄ "	527.40
28.00	27.90	4-5V2800F	F	C-3	7 ⁷ / ₈ "	3 ³ / ₄ "	558.00	5-5V2800F	F	B-3	1 ¹ / ₄ "	3 ³ / ₄ "	594.00
31.50	31.40	4-5V3150F	F	C-3	7 ⁷ / ₈ "	3 ³ / ₄ "	873.00	5-5V3150J	J	C-3	9 ⁹ / ₁₆ "	4 ⁵ / ₈ "	972.00
37.50	37.40	4-5V3750F	F	C-3	7 ⁷ / ₈ "	3 ³ / ₄ "	1116.00	5-5V3750J	J	C-3	9 ⁹ / ₁₆ "	4 ⁵ / ₈ "	1242.00

*Suffix on Type indicates construction:
 1=Solid 2=Web 3=Arm/Spoke

sheaves are precision machined from gray cast iron, statically balanced painted with baked enamel finish and individually packaged or lagged.

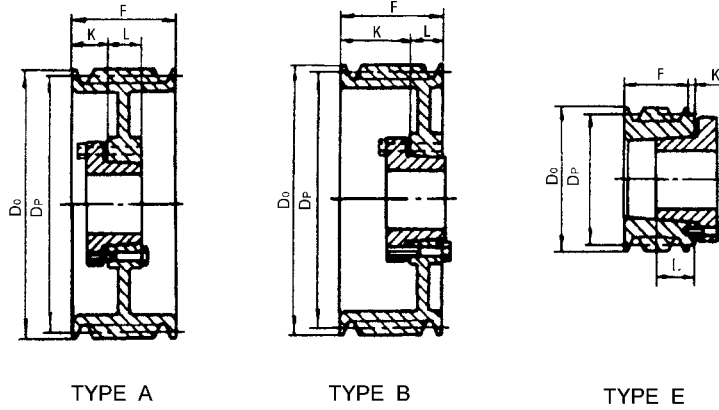
Order bushings separately from page B · 1.



S H E A V E

Heavy Duty QD Sheaves

Six and Eight Groove QD 5V Sheaves



Diameters		6 Groove F = 4 7/16					List	8 Groove F = 5 13/16					List
D ₀	D _p	Part No.	Bush	Type*	K	L	Price	Part No.	Bush	Type*	K	L	Price
4.40"	4.30"	6-5V440SD	SD	E-1	0"	1 ¹³ / ₁₆ "	102.60						
4.65	4.55	6-5V465SD	SD	E-1	0	1 ¹³ / ₁₆ "	108.00						
4.90	4.80	6-5V490SD	SD	A-1	1 ⁵ / ₁₆ "	1 ¹³ / ₁₆ "	113.40						
5.20	5.10	6-5V520SD	SD	A-1	1 ⁵ / ₁₆ "	1 ¹³ / ₁₆ "	118.80						
5.50	5.40	6-5V550SD	SD	A-1	1 ⁵ / ₁₆ "	1 ¹³ / ₁₆ "	124.20						
5.90	5.80	6-5V590SK	SK	A-1	1 ⁵ / ₁₆ "	1 ¹⁵ / ₁₆ "	129.60						
6.30	6.20	6-5V630SK	SK	A-1	1 ⁵ / ₁₆ "	1 ¹⁵ / ₁₆ "	135.00						
6.70	6.60	6-5V670SF	SF	A-1	1 ⁵ / ₈ "	2 ¹ / ₁₆ "	138.60						
7.10	7.00	6-5V710SF	SF	A-1	1 ⁵ / ₈ "	2 ¹ / ₁₆ "	144.00	8-5V710SF	SF	A-1	2 ¹ / ₈ "	2 ¹ / ₁₆ "	167.40
7.50	7.40	6-5V750SF	SF	A-1	1 ⁵ / ₈ "	2 ¹ / ₁₆ "	158.40	8-5V750SF	SF	A-1	2 ¹ / ₈ "	2 ¹ / ₁₆ "	185.40
8.00	7.90	6-5V800E	E	A-1	2	2 ³ / ₄ "	167.40	8-5V800E	E	A-1	2 ¹ / ₂ "	2 ³ / ₄ "	203.40
8.50	8.40	6-5V850E	E	A-1	2	2 ³ / ₄ "	178.20	8-5V850E	E	A-1	2 ¹ / ₂ "	2 ³ / ₄ "	223.20
9.00	8.90	6-5V900E	E	A-1	2	2 ³ / ₄ "	198.00	8-5V900E	E	A-1	2 ¹ / ₂ "	2 ³ / ₄ "	241.20
9.25	9.15	6-5V925E	E	A-1	2	2 ³ / ₄ "	201.60	8-5V925F	F	A-1	2 ⁹ / ₁₆ "	3 ³ / ₄ "	270.00
9.75	9.65	6-5V975E	E	A-2	2	2 ³ / ₄ "	205.20	8-5V975F	F	A-1	2 ⁹ / ₁₆ "	3 ³ / ₄ "	288.00
10.30	10.20	6-5V1030E	E	A-2	2	2 ³ / ₄ "	223.20	8-5V1030F	F	A-1	2 ⁹ / ₁₆ "	3 ³ / ₄ "	306.00
10.90	10.80	6-5V1090E	E	A-2	2	2 ³ / ₄ "	234.00	8-5V1090F	F	A-2	2 ⁹ / ₁₆ "	3 ³ / ₄ "	313.20
11.30	11.20	6-5V1130E	E	A-2	2	2 ³ / ₄ "	234.00	8-5V1130F	F	A-2	2 ⁹ / ₁₆ "	3 ³ / ₄ "	320.40
11.80	11.70	6-5V1180E	E	A-2	2	2 ³ / ₄ "	235.80	8-5V1180F	F	A-2	2 ⁹ / ₁₆ "	3 ³ / ₄ "	336.60
12.50	12.40	6-5V1250F	F	B-3	1 ⁵ / ₁₆ "	3 ³ / ₄ "	288.00	8-5V1250F	F	A-2	2 ⁹ / ₁₆ "	3 ³ / ₄ "	349.20
13.20	13.10	6-5V1320F	F	B-3	1 ⁵ / ₁₆ "	3 ³ / ₄ "	307.80	8-5V1320F	F	A-3	2 ⁹ / ₁₆ "	3 ³ / ₄ "	396.00
14.00	13.90	6-5V1400F	F	B-3	1 ⁵ / ₁₆ "	3 ³ / ₄ "	345.60	8-5V1400F	F	A-3	2 ⁹ / ₁₆ "	3 ³ / ₄ "	432.00
15.00	14.90	6-5V1500F	F	B-3	1 ⁵ / ₁₆ "	3 ³ / ₄ "	381.60	8-5V1500F	F	A-3	2 ⁹ / ₁₆ "	3 ³ / ₄ "	504.00
16.00	15.90	6-5V1600F	F	B-3	1 ⁵ / ₁₆ "	3 ³ / ₄ "	417.60	8-5V1600F	F	A-3	2 ⁹ / ₁₆ "	3 ³ / ₄ "	576.00
18.70	18.60	6-5V1870F	F	A-3	1 ⁵ / ₁₆ "	3 ³ / ₄ "	468.00	8-5V1870J	J	A-3	1 ⁹ / ₁₆ "	4 ⁵ / ₈ "	630.00
21.20	21.10	6-5V2120F	F	A-3	1 ¹⁵ / ₁₆ "	3 ³ / ₄ "	531.00	8-5V2120J	J	A-3	1 ⁹ / ₁₆ "	4 ⁵ / ₈ "	684.00
23.60	23.50	6-5V2360J	J	B-3	1 ¹ / ₄ "	4 ⁵ / ₈ "	594.00	8-5V2360J	J	A-3	1 ⁹ / ₁₆ "	4 ⁵ / ₈ "	756.00
28.00	27.90	6-5V2800J	J	B-3	1 ¹ / ₄ "	4 ⁵ / ₈ "	666.00	8-5V2800J	J	A-3	1 ⁹ / ₁₆ "	4 ⁵ / ₈ "	918.00
31.50	31.40	6-5V3150J	J	B-3	1 ¹ / ₄ "	4 ⁵ / ₈ "	1062.00	8-5V3150M	M	B-3	5 ⁸ / ₁₆ "	6 ³ / ₄ "	1296.00
37.50	37.40	6-5V3750J	J	B-3	1 ¹ / ₄ "	4 ⁵ / ₈ "	1296.00	8-5V3750M	M	B-3	5 ⁸ / ₁₆ "	6 ³ / ₄ "	1602.00

*Suffix on Type indicates construction:
 1=Solid 2=Web 3=Arm/Spoke

sheaves are precision machined from gray cast iron,
 statically balanced painted with baked
 enamel finish and individually packaged or lagged.

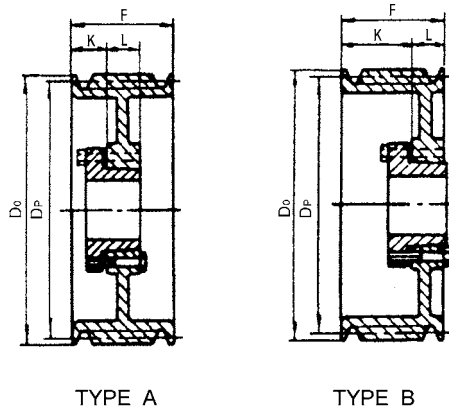
Order bushings separately from page B-1.



S H E A V E

Heavy Duty QD Sheaves

Ten Groove QD 5V Sheaves



Diameters		10 Groove F = 7 3/16					List Price
D ₀	D _p	Part No.	Bush	Type*	K	L	
8.00"	7.90"	10-5V800E	E	A-1	3 1/4"	2 3/4"	252.00
8.50	8.40	10-5V850E	E	A-1	3 1/4	2 3/4	272.00
9.00	8.90	10-5V900F	F	A-1	3 5/16	3 3/4	300.00
9.25	9.15	10-5V925F	F	A-1	3 5/16	3 3/4	304.00
9.75	9.65	10-5V975F	F	A-1	3 5/16	3 3/4	360.00
10.30	10.20	10-5V1030F	F	A-1	3 5/16	3 3/4	372.00
10.90	10.80	10-5V1090F	F	A-2	3 5/16	3 3/4	384.00
11.30	11.20	10-5V1130F	F	A-2	3 5/16	3 3/4	440.00
11.80	11.70	10-5V1180F	F	A-2	3 5/16	3 3/4	480.00
12.50	12.40	10-5V1250J	J	A-2	3 9/16	4 5/8	500.00
13.20	13.10	10-5V1320J	J	A-2	3 9/16	4 5/8	580.00
14.00	13.90	10-5V1400J	J	A-2	3 9/16	4 5/8	640.00
15.00	14.90	10-5V1500J	J	A-2	3 9/16	4 5/8	720.00
16.00	15.90	10-5V1600J	J	A-3	3 9/16	4 5/8	780.00
18.70	18.60	10-5V1870J	J	A-3	1 9/16	4 5/8	860.00
21.20	21.10	10-5V2120J	J	A-3	1 9/16	4 5/8	960.00
23.60	23.50	10-5V2360M	M	B-3	1 15/16	6 3/4	1040.00
28.00	27.90	10-5V2800M	M	B-3	1 15/16	6 3/4	1280.00
31.50	31.40	10-5V3150M	M	B-3	1 15/16	6 3/4	1560.00
37.50	37.40	10-5V3750M	M	B-3	1 15/16	6 3/4	1840.00
50.00	49.40	10-5V5000M	M	B-3	1 15/16	6 3/4	2580.00

*Suffix on Type indicates construction:
 1=Solid 2=Web 3=Arm/Spoke

sheaves are precision machined from gray cast iron,
 statically balanced painted with baked
 enamel finish and individually packaged or lagged.

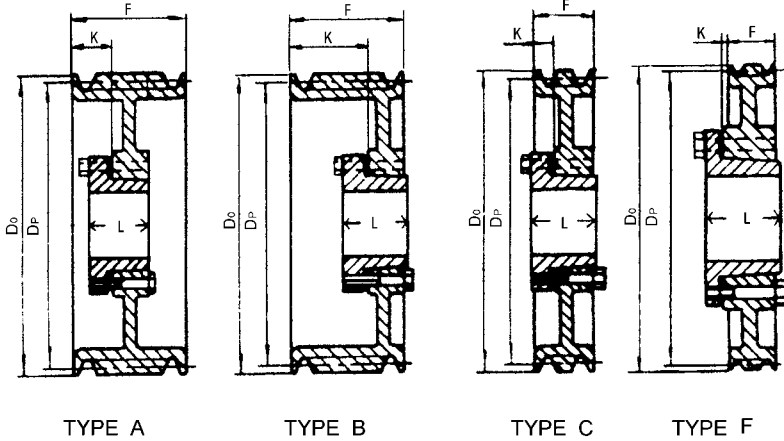
Order bushings separately from page B · 1.



SHEAVE

Heavy Duty QD Sheaves

Four, Five, Six & Eight Groove QD 8V Sheaves



Diameters		4 Groove F = 4 7/8					List	5 Groove F = 6					List
D ₀	D _P	Part No.	Bush	Type*	K	L	Price	Part No.	Bush	Type*	K	L	Price
12.50"	12.30"	4-8V1250F	F	A-1	13/16"	33/4"	544.00	5-8V1250F	F	A-1	25/16"	33/4"	588.00
13.20	13.00	4-8V1320F	F	A-2	13/16	33/4	552.00	5-8V1320F	F	A-2	25/16	33/4	618.00
14.00	13.80	4-8V1400F	F	A-2	13/16	33/4	560.00	5-8V1400F	F	A-2	25/16	33/4	660.00
15.00	14.80	4-8V1500F	F	A-2	13/16	33/4	596.00	5-8V1500F	F	A-2	25/16	33/4	700.00
16.00	15.80	4-8V1600F	F	A-2	13/16	33/4	660.00	5-8V1600F	F	A-2	25/16	33/4	740.00
17.00	16.80	4-8V1700F	F	A-3	13/16	33/4	720.00	5-8V1700J	J	A-3	2	45/8	846.00
18.00	17.80	4-8V1800F	F	A-3	13/16	33/4	760.00	5-8V1800J	J	A-3	2	45/8	900.00
19.00	18.80	4-8V1900F	F	A-2	13/16	33/4	790.00	5-8V1900J	J	A-3	2	45/8	960.00
20.00	19.80	4-8V2000J	J	A-3	17/16	45/8	820.00	5-8V2000J	J	A-3	2	45/8	990.00
21.20	21.00	4-8V2120J	J	A-3	17/16	45/8	840.00	5-8V2120J	J	A-3	2	45/8	1150.00
22.40	22.20	4-8V2240J	J	A-3	17/16	45/8	886.00	5-8V2240M	M	B-3	13/16	63/4	1310.00
24.80	24.60	4-8V2480M	M	F-3	5/16	63/4	1190.00	5-8V2480M	M	B-3	13/16	63/4	1390.00
30.00	29.80	4-8V3000M	M	F-3	5/16	63/4	1350.00	5-8V3000M	M	B-3	13/16	63/4	1570.00
35.50	35.30	4-8V3550M	M	F-3	5/16	63/4	1790.00	5-8V3550M	M	B-3	13/16	63/4	1990.00
40.00	39.80	4-8V4000M	M	F-3	5/16	63/4	1970.00	5-8V4000M	M	B-3	13/16	63/4	2240.00
Diameters		6 Groove F = 7 1/8					List	8 Groove F = 9 3/8					List
D ₀	D _P	Part No.	Bush	Type*	K	L	Price	Part No.	Bush	Type*	K	L	Price
12.50"	12.30"	6-8V1250F	F	A-1	25/16"	33/4"	618.00	8-8V1250J	J	A-1	39/16"	45/8"	780.00
13.20	13.00	6-8V1320F	F	A-1	25/16	33/4	660.00	8-8V1320J	J	A-1	39/16	45/8	824.00
14.00	13.80	6-8V1400F	F	A-1	25/16	33/4	722.00	8-8V1400J	J	A-1	39/16	45/8	866.00
15.00	14.80	6-8V1500J	J	A-1	29/16	45/8	774.00	8-8V1500J	J	A-1	39/16	45/8	928.00
16.00	15.80	6-8V1600J	J	A-1	29/16	45/8	824.00	8-8V1600J	J	A-1	39/16	45/8	1010.00
17.00	16.80	6-8V1700J	J	A-2	29/16	45/8	928.00	8-8V1700M	M	A-2	315/16	63/4	1124.00
18.00	17.80	6-8V1800J	J	A-2	29/16	45/8	1000.00	8-8V1800M	M	A-2	315/16	63/4	1200.00
19.00	18.80	6-8V1900J	J	A-2	29/16	45/8	1040.00	8-8V1900M	M	A-2	315/16	63/4	1240.00
20.00	19.80	6-8V2000M	M	B-2	15/16	63/4	1190.00	8-8V2000M	M	A-2	315/16	63/4	1280.00
21.20	21.00	6-8V2120M	M	B-2	15/16	63/4	1320.00	8-8V2120M	M	A-2	315/16	63/4	1380.00
22.40	22.20	6-8V2240M	M	B-3	15/16	63/4	1560.00	8-8V2240M	M	A-3	315/16	63/4	1590.00
24.80	24.60	6-8V2480M	M	B-3	115/16	63/4	1590.00	8-8V2480N	N	A-3	21/4	81/8	1790.00
30.00	29.80	6-8V3000M	M	B-3	115/16	63/4	1610.00	8-8V3000N	N	A-3	21/4	81/8	1840.00
35.50	35.30	6-8V3550N	N	C-3	11/8	81/8	2190.00	8-8V3550N	N	A-3	21/4	81/8	2390.00
40.00	39.80	6-8V4000N	N	C-3	11/8	81/8	2440.00	8-8V4000N	N	A-3	21/4	81/8	2640.00

*Suffix on Type indicates construction:
1=Solid 2=Web 3=Arm/Spoke

sheaves are precision machined from gray cast iron, statically balanced painted with baked enamel finish and individually packaged or lagged.

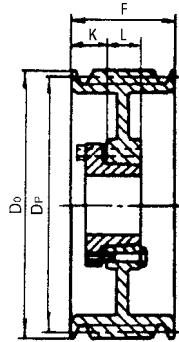
Order bushings separately from page B-1.



S H E A V E

Heavy Duty QD Sheaves

Ten Groove QD 8V Sheaves



TYPE A



Diameters		10 Groove F = 7 3/16					List Price
D ₀	D _p	Part No.	Bush	Type*	K	L	
12.50"	12.30"	10-8V1250J	J	A-1	3 ⁹ / ₁₆ "	4 ⁵ / ₈ "	948.00
13.20	13.00	10-8V1320J	J	A-1	3 ⁹ / ₁₆	4 ⁵ / ₈	1114.00
14.00	13.80	10-8V1400J	J	A-1	3 ⁹ / ₁₆	6 ³ / ₄	1278.00
15.00	14.80	10-8V1500M	M	A-1	3 ¹⁵ / ₁₆	6 ³ / ₄	1442.00
16.00	15.80	10-8V1600M	M	A-2	3 ¹⁵ / ₁₆	6 ³ / ₄	1608.00
17.00	16.80	10-8V1700M	M	A-2	3 ¹⁵ / ₁₆	6 ³ / ₄	1648.00
18.00	17.80	10-8V1800M	M	A-2	3 ¹⁵ / ₁₆	6 ³ / ₄	1720.00
19.00	18.80	10-8V1900M	M	A-2	3 ¹⁵ / ₁₆	6 ³ / ₄	1760.00
20.00	19.80	10-8V2000M	M	A-2	3 ¹⁵ / ₁₆	6 ³ / ₄	1860.00
21.20	21.00	10-8V2120M	M	A-2	3 ¹⁵ / ₁₆	6 ³ / ₄	2040.00
22.40	22.20	10-8V2240N	N	A-2	2 ¹ / ₄	8 ¹ / ₈	2246.00
24.80	24.60	10-8V2480N	N	A-2	2 ¹ / ₄	8 ¹ / ₈	2290.00
30.00	29.80	10-8V3000N	N	A-2	2 ¹ / ₄	8 ¹ / ₈	2350.00

*Suffix on Type indicates construction:
1=Solid 2=Web 3=Arm/Spoke

sheaves are precision machined from gray cast iron, statically balanced painted with baked enamel finish and individually packaged or lagged.

Order bushings separately from page B · 1.